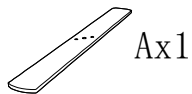


# ASSEMBLY DRAWING



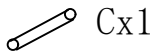
Ax1



Bx1



Dx1



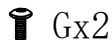
Cx1



Ex1



Fx2



Gx2



Hx2



Ix1



Jx1



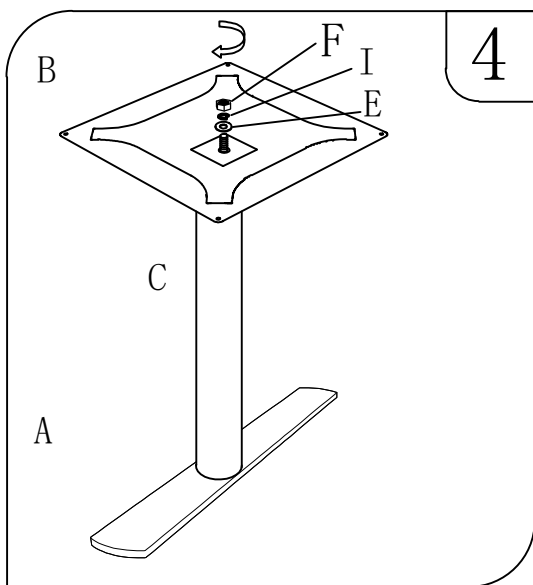
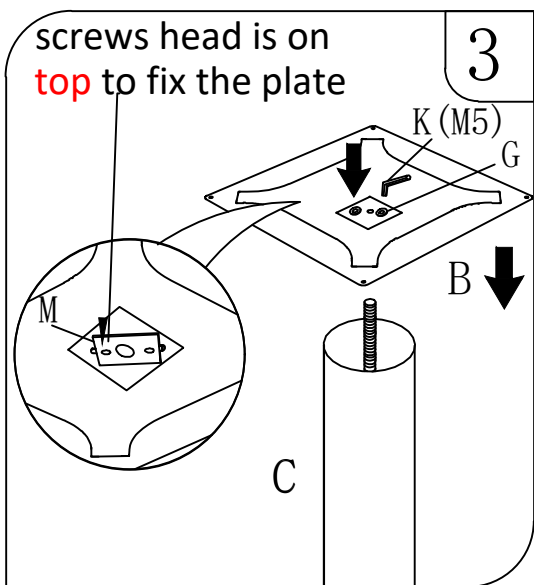
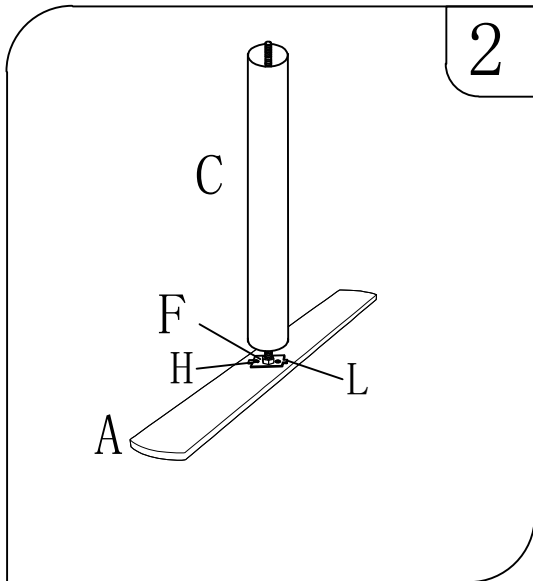
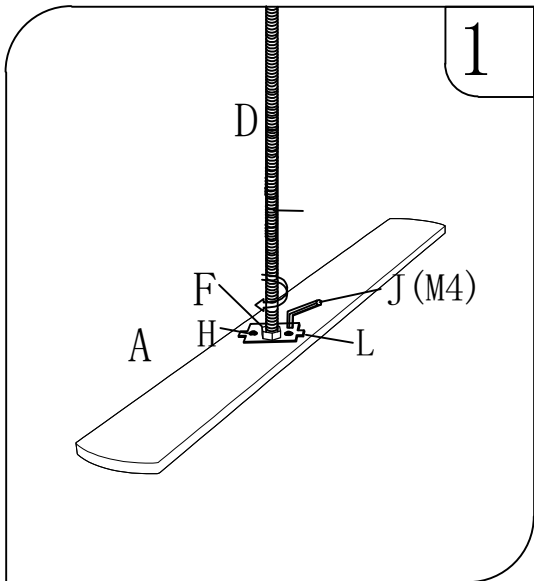
Kx1



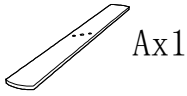
Lx1



Mx1



# ASSEMBLY DRAWING



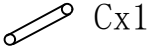
Ax1



Bx1



Dx1



Cx1



Ex1



Fx2



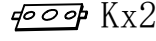
Gx4



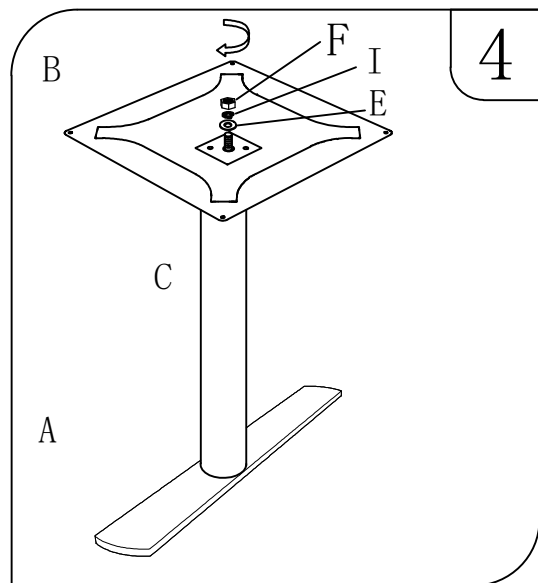
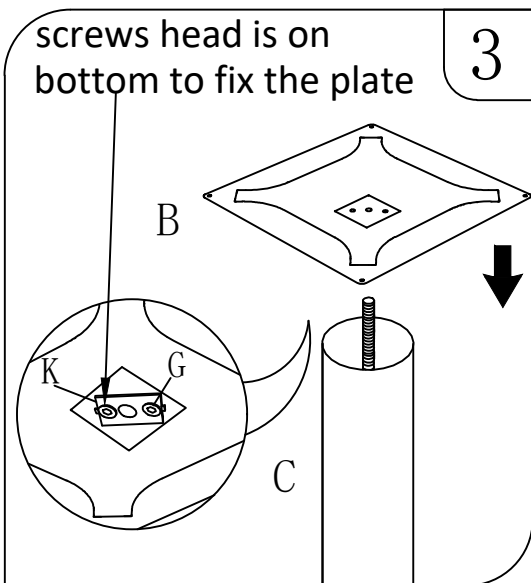
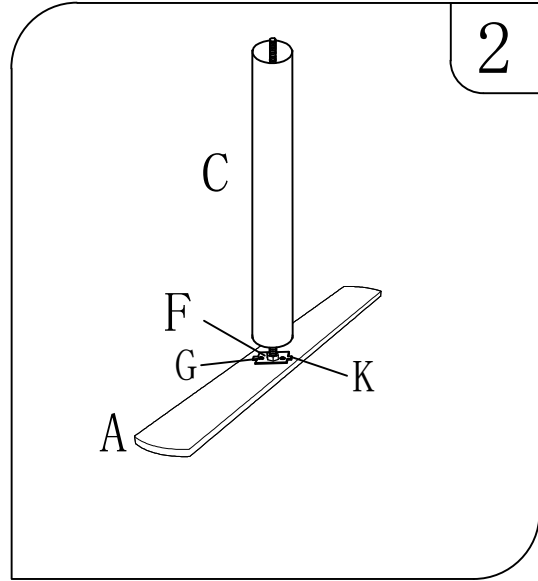
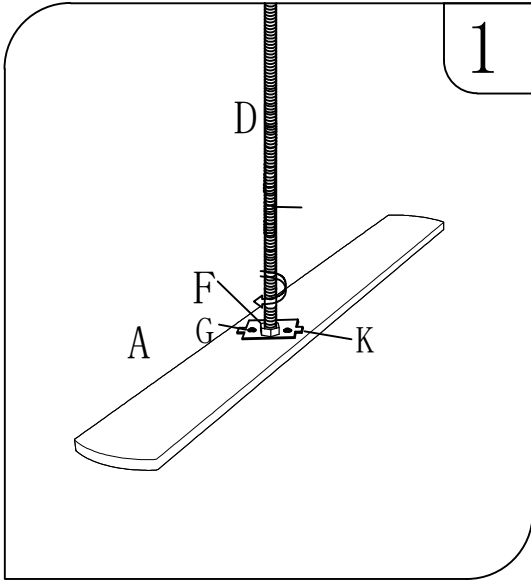
Ix1



Jx1



Kx2



# ASSEMBLY DRAWING



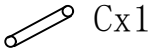
Ax1



Bx1



Dx1



Cx1



Ex1



Fx2



Gx2



Hx2



Ix1



Jx1



Kx1

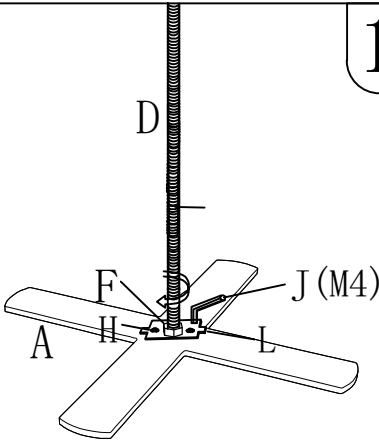


Lx1

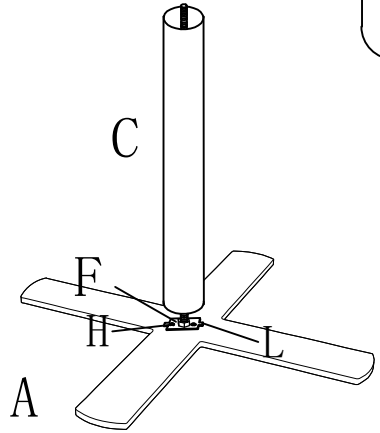


Mx1

1

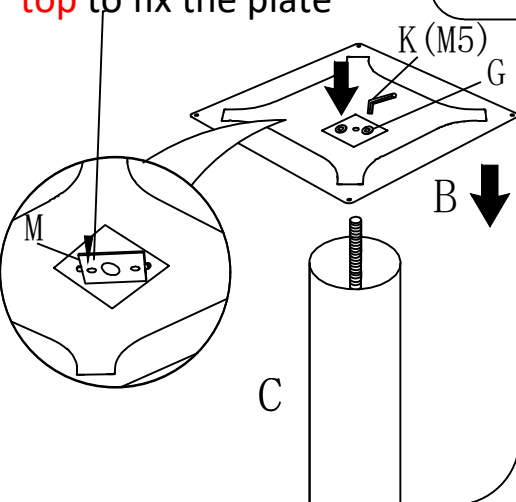


2

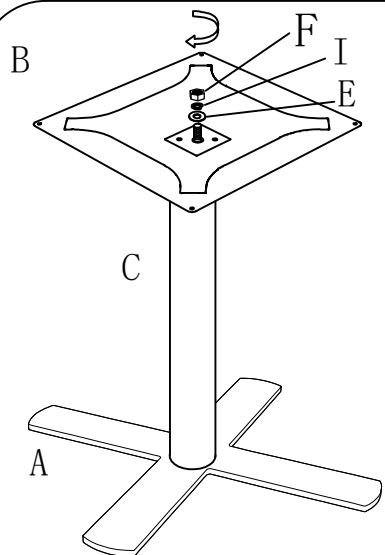


screws head is on  
**top** to fix the plate

3



4



5126 & 5130

# ASSEMBLY DRAWING

Model

