

**NEW**

# TOE KICK extrusions

**Waterproof & Environmentally Friendly**

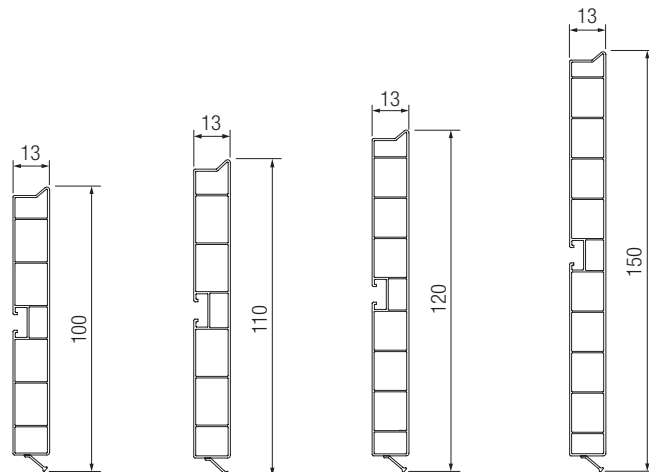
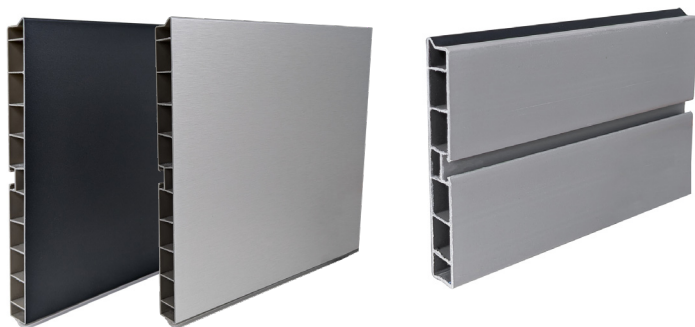
- Premium quality
- Extruded recycled polypropylene
- Protective peel coat ensures quality finish
- Easily cut to your desired length
- Anodized aluminum foil on polypropylene in two popular finishes
- Variety of heights to choose from
- Rubber gasket to seal off under cabinet spaces from water and debris
- Color matched connector fittings & end caps for all applications
- Real anodized aluminum toe kicks are available by special order



**COMPATIBLE WITH THE SMILE SYSTEM & ALL PMI CABINET LEVELING PRODUCTS**

## WATERPROOF TOE-KICKS

Plastic Toe Kicks with Hidden Gasket, 10' (3m) Long



Item No. Natural Anodized Aluminum Foil	Item No. Matte Black Foil	Height	Packed
TK9-10-300-002	TK9-10-300-015	3-15/16"	15 / Box
TK9-11-300-002	TK9-11-300-015	4-5/16"	15 / Box
TK9-12-300-002	TK9-12-300-015	4-3/4"	15 / Box
TK9-15-300-002	TK9-15-300-015	5-7/8"	12 / Box

PMI recommends a (MTCC) Modified Triple Chip Grind saw blade with a negative 5-degree rake and at least a 108-tooth count for cutting our Plastic Toe Kick Extrusions. *IE. Tenryu IA-305108BX2*

### AVAILABLE FINISHES



Natural Anodized Aluminum Foil



Matte Black Foil

**AVAILABLE NOW**  
1-800-222-6941

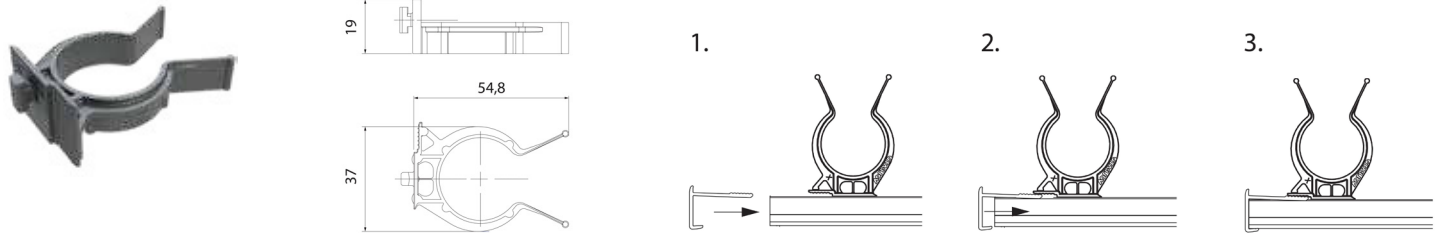
e. [orders@petermeier.com](mailto:orders@petermeier.com)  
w. [petermeier.com](http://petermeier.com)  
a. 1255 South Park Dr.  
Kernersville, NC 27284, USA



# TOE-KICK CONNECTOR FITTINGS & END CAP



## TOE KICK CLIP FOR 90° DEGREE END CAP



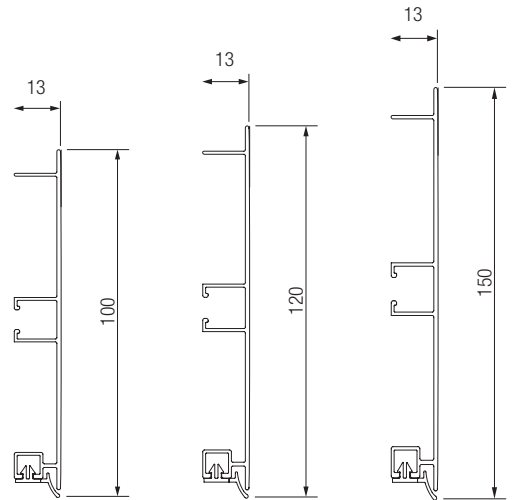
Description	Item No. Natural Anodized Aluminum Foil	Item No. Black Anodized Foil	Height	Packed
Multicorner Connector Fitting - 90°- 135°	TKEC-MC90-10-002	TKEC-MC90-10-015	3-15/16"	1 Each
Multicorner Connector Fitting - 90°- 135°	TKEC-MC90-11-002	TKEC-MC90-11-015	4-5/16"	1 Each
Multicorner Connector Fitting - 90°- 135°	TKEC-MC90-12-002	TKEC-MC90-12-015	4-3/4"	1 Each
Multicorner Connector Fitting - 90°- 135°	TKEC-MC90-15-002	TKEC-MC90-15-015	5-7/8"	1 Each
Straight End Cap	TKEC-00-10-002	TKEC-00-10-015	3-15/16"	1 Each
Straight End Cap	TKEC-00-11-002	TKEC-00-11-015	4-5/16"	1 Each
Straight End Cap	TKEC-00-12-002	TKEC-00-12-015	4-3/4"	1 Each
Straight End Cap	TKEC-00-15-002	TKEC-00-15-015	5-7/8"	1 Each
Corner Connector Fitting - 90°	TKEC-C90-10-002	TKEC-C90-10-015	3-15/16"	1 Each
Corner Connector Fitting - 90°	TKEC-C90-11-002	TKEC-C90-11-015	4-5/16"	1 Each
Corner Connector Fitting - 90°	TKEC-C90-12-002	TKEC-C90-12-015	4-3/4"	1 Each
Corner Connector Fitting - 90°	TKEC-C90-15-002	TKEC-C90-15-015	5-7/8"	1 Each
Flush Joint Connector Fitting	TKEC-180-10-002	TKEC-180-10-015	3-15/16"	1 Each
Flush Joint Connector Fitting	TKEC-180-11-002	TKEC-180-11-015	4-5/16"	1 Each
Flush Joint Connector Fitting	TKEC-180-12-002	TKEC-180-12-015	4-3/4"	1 Each
Flush Joint Connector Fitting	TKEC-180-15-002	TKEC-180-15-015	5-7/8"	1 Each
Corner Connector Fitting - 135°	TKEC-C135-10-002	TKEC-C135-10-015	3-15/16"	1 Each
Corner Connector Fitting - 135°	TKEC-C135-11-002	TKEC-C135-11-015	4-5/16"	1 Each
Corner Connector Fitting - 135°	TKEC-C135-12-002	TKEC-C135-12-015	4-3/4"	1 Each
Corner Connector Fitting - 135°	TKEC-C135-15-002	TKEC-C135-15-015	5-7/8"	1 Each
90° Degree End Cap	TKEC-01-10-002	TKEC-01-10-015	3-15/16"	1 Each
90° Degree End Cap	TKEC-01-11-002	TKEC-01-11-015	4-5/16"	1 Each
90° Degree End Cap	TKEC-01-12-002	TKEC-01-12-015	4-3/4"	1 Each
90° Degree End Cap	TKEC-01-15-002	TKEC-01-15-015	5-7/8"	1 Each
Toe Kick Clip for 90° End Cap	226-TKEC-01		-	1 Each

# ALUMINUM TOE-KICKS

Real Anodized Aluminum Toe Kicks with Hidden Gasket  
10' (3m) Long

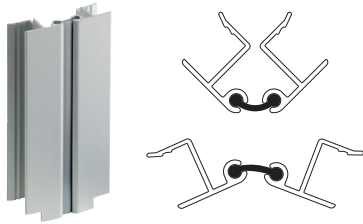


**ALUMINUM toe-kicks and connector fittings by SPECIAL ORDER ONLY.**

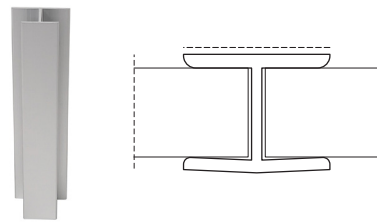


Item No.	Height	Packed
TK1-10-300-AL	3-15/16"	15 / Box
TK1-12-300-AL	4-3/4"	15 / Box
TK1-15-300-AL	5-7/8"	12 / Box

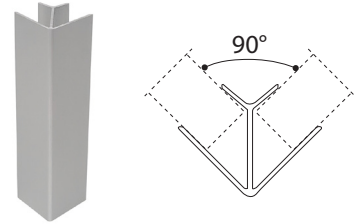
## MULTICORNER - 90° - 180°



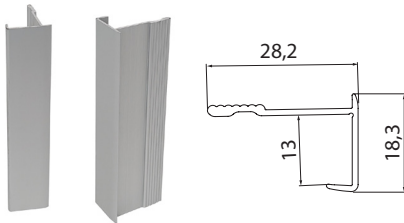
## FLUSH JOINT



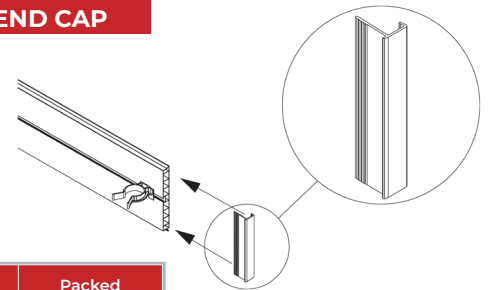
## CORNER - 90°



## 90° DEGREE END



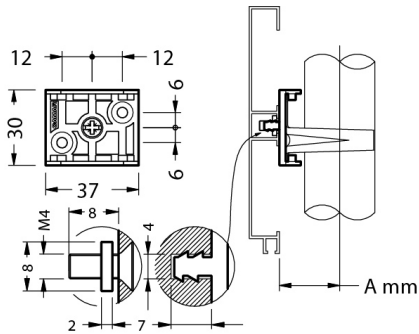
## TOE KICK CLIP FOR 90° DEGREE END CAP



Description	Item No.	Height	Packed
Multicorner Connector Fitting - 90°- 180°	TKEC-MC90-10-AL	3-15/16"	1 Each
Multicorner Connector Fitting - 90°- 180°	TKEC-MC90-12-AL	4-5/16"	1 Each
Multicorner Connector Fitting - 90°- 180°	TKEC-MC90-15-AL	4-3/4"	1 Each
Corner Connector Fitting - 90°	TKEC-C90-10-AL	3-15/16"	1 Each
Corner Connector Fitting - 90°	TKEC-C90-12-AL	4-5/16"	1 Each
Corner Connector Fitting - 90°	TKEC-C90-15-AL	4-3/4"	1 Each
Flush Joint Connector Fitting	TKEC-180-10-AL	3-15/16"	1 Each
Flush Joint Connector Fitting	TKEC-180-12-AL	4-5/16"	1 Each
Flush Joint Connector Fitting	TKEC-180-15-AL	4-3/4"	1 Each
90° Degree End Cap	TKEC-01-10-AL	3-15/16"	1 Each
90° Degree End Cap	TKEC-01-12-AL	4-5/16"	1 Each
90° Degree End Cap	TKEC-01-15-AL	4-3/4"	1 Each
Toe Kick Clip for 90° End Cap	226-TKEC-01	-	1 Each

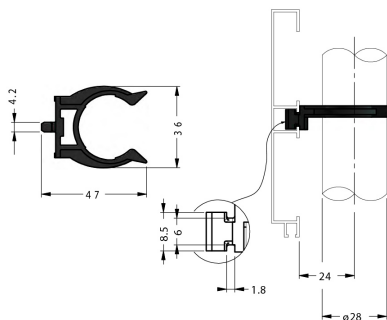
# TOE-KICK CLIPS

## 2-FINGER CLIP - SLIDE-NUT



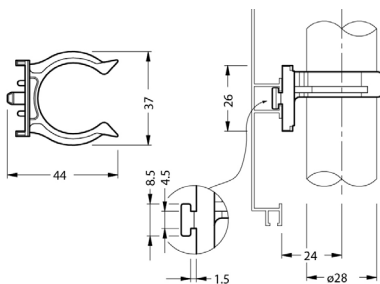
Description	Item No.	Mounting Style	Packed
2-Finger Slide Nut Toe Kick Clip for Plastic and Aluminum Toe-Kicks	228-AM-B2	Slide-Nut	100 / Box

## 2-FINGER CLIP - TWIST-LOCK



Description	Item No.	Mounting Style	Packed
2-Finger Twist Lock Toe Kick Clip for Plastic and Aluminum Toe-Kicks	226-4A-P2	Twist-Lock	100 / Box

## 2-FINGER CLIP - END-FEED



Description	Item No.	Mounting Style	Packed
2-Finger End-Feed Toe Kick Clip for Plastic and Aluminum Toe-Kicks	226-AL-P2	End-Feed	100 / Box

**AVAILABLE NOW**  
1-800-222-6941

e. [orders@petermeier.com](mailto:orders@petermeier.com)  
w. [petermeier.com](http://petermeier.com)  
a. 1255 South Park Dr.  
Kernersville, NC 27284, USA

PMTK24  
December 2024 / Toe-Kicks / 1.2

