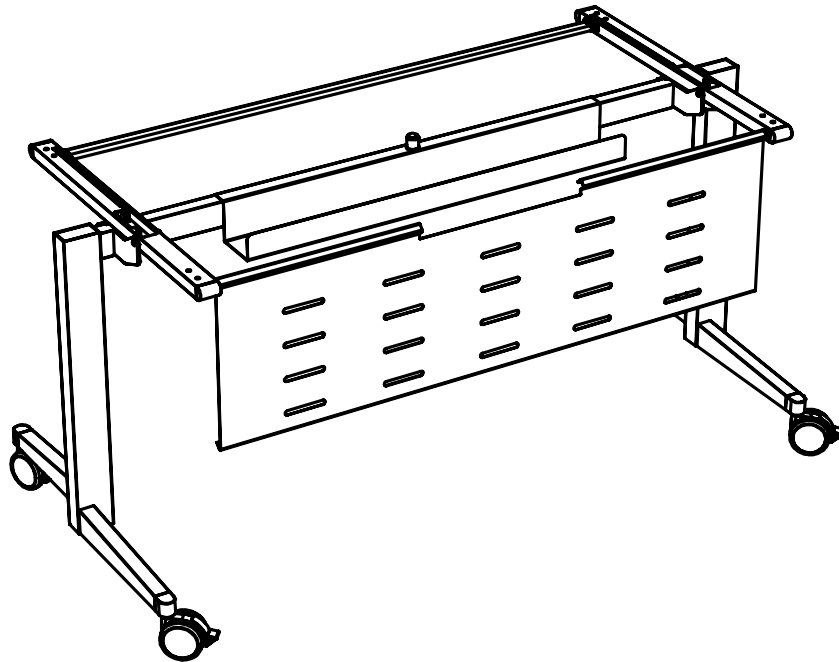




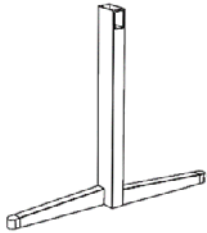
M1360 - Nesting Desk Frame



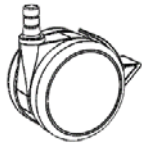
INSTRUCTIONS

PARTS LIST

Desk Frame Parts



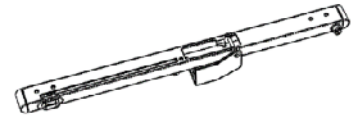
"T" Leg
Qty of (2)



Braking Caster
Qty of (4)



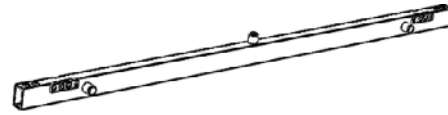
Left Top Support Arm
Qty of (1)



Right Top Support Arm
Qty of (1)



Release Pull Bar
Qty of (1)



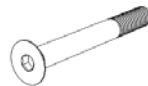
Main Cross Beam
Qty of (1)



Cover Plate
Qty of (2)



Plastic Cap for Top
Mounting Screw Holes
Qty of (8)

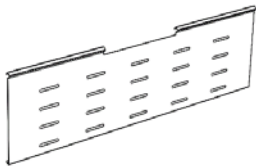


M8 x 70mm
Flat Head Cap Screw
Qty of (4)

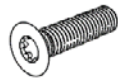


M6 x 16mm
Cap Head Screw
Qty of (6)

Optional Modesty Panel



Optional
Modesty Panel
Qty of (1)



M5 x 20mm Flat Head
Thread Forming Screw
Qty of (2)

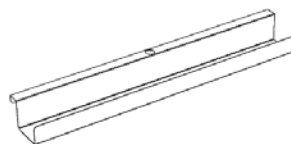


O-ring
Qty of (2)



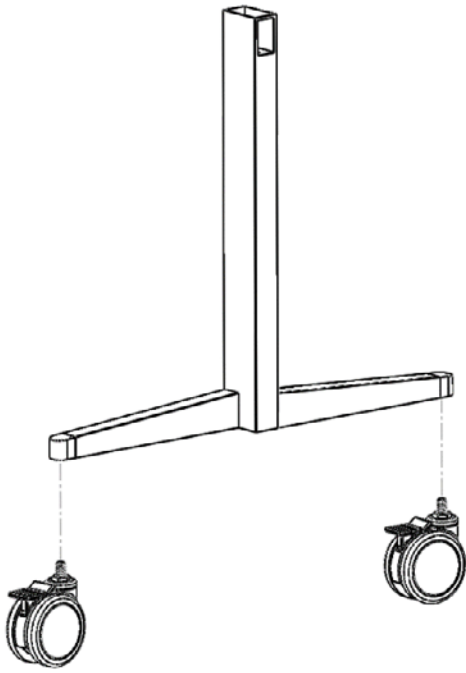
Pivot Bushing
Qty of (2)

Optional Cable Tray



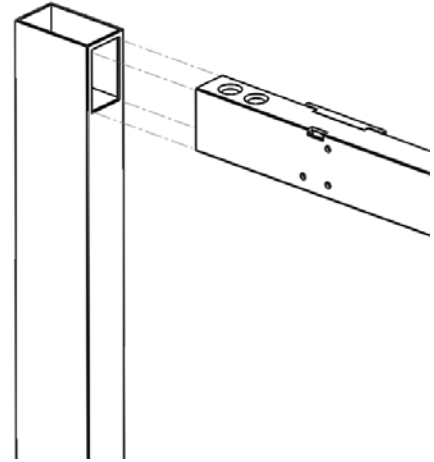
Optional
Cable Tray
Qty of (1)

1



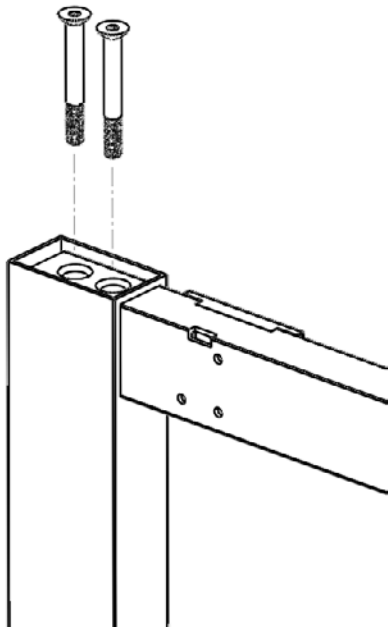
Assemble the locking casters to both sets of "T" legs by pushing the casters into the glide receiver holes on the bottom of each leg. This may require a little force in order to fully seat the casters.

2



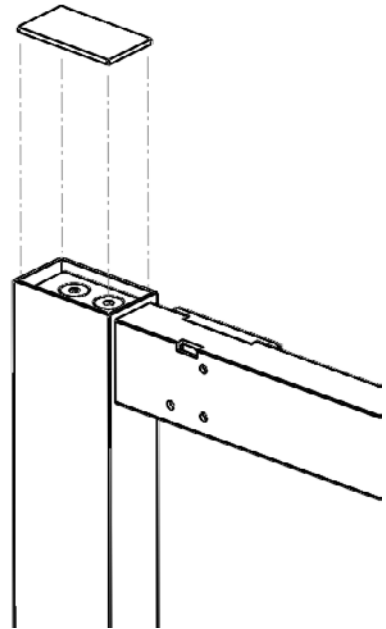
Slide the main cross Beam into the top side pocket of each leg.

3



Align and install two M8 x 70 flat head bolts using an M5 Allen wrench into the top of each leg. Be sure to fully tighten.

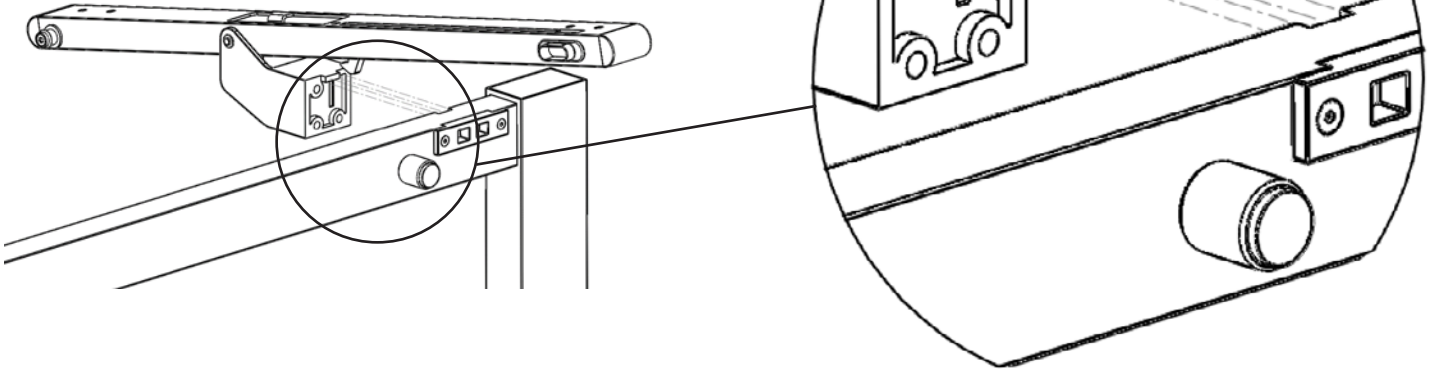
4



Peel the backing from the double-sided tape of both cover plates and press firmly into the recess. Both cover plate should fit flush with the top of each leg.

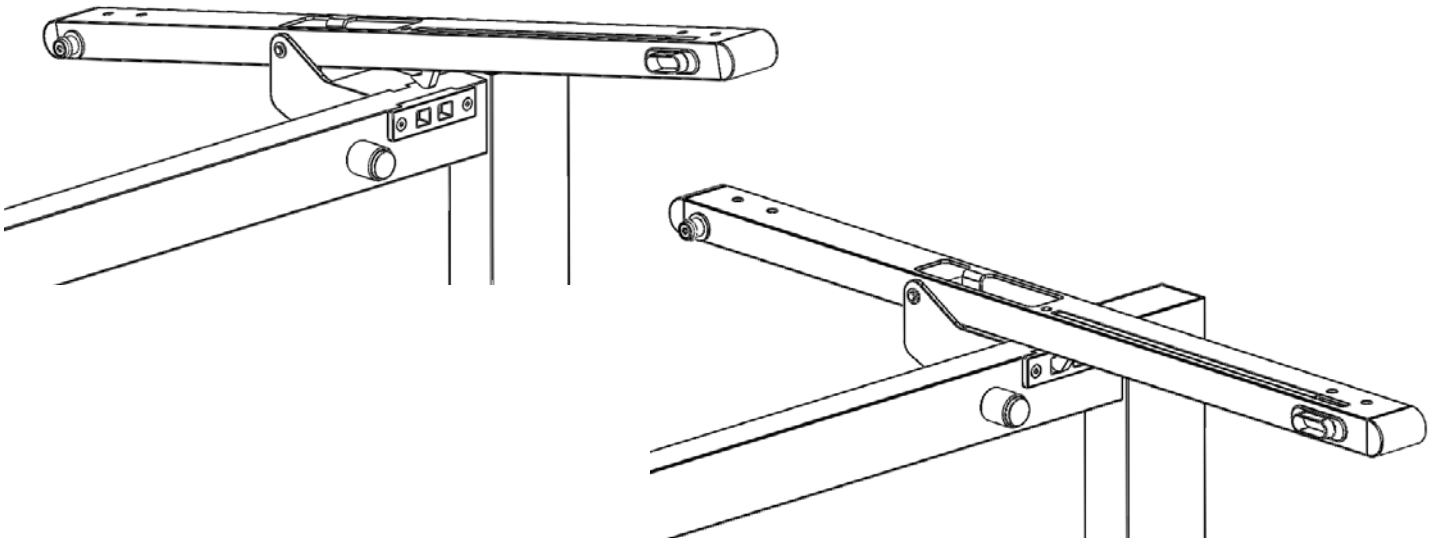
5

Right "Top Support Arm"
shown below



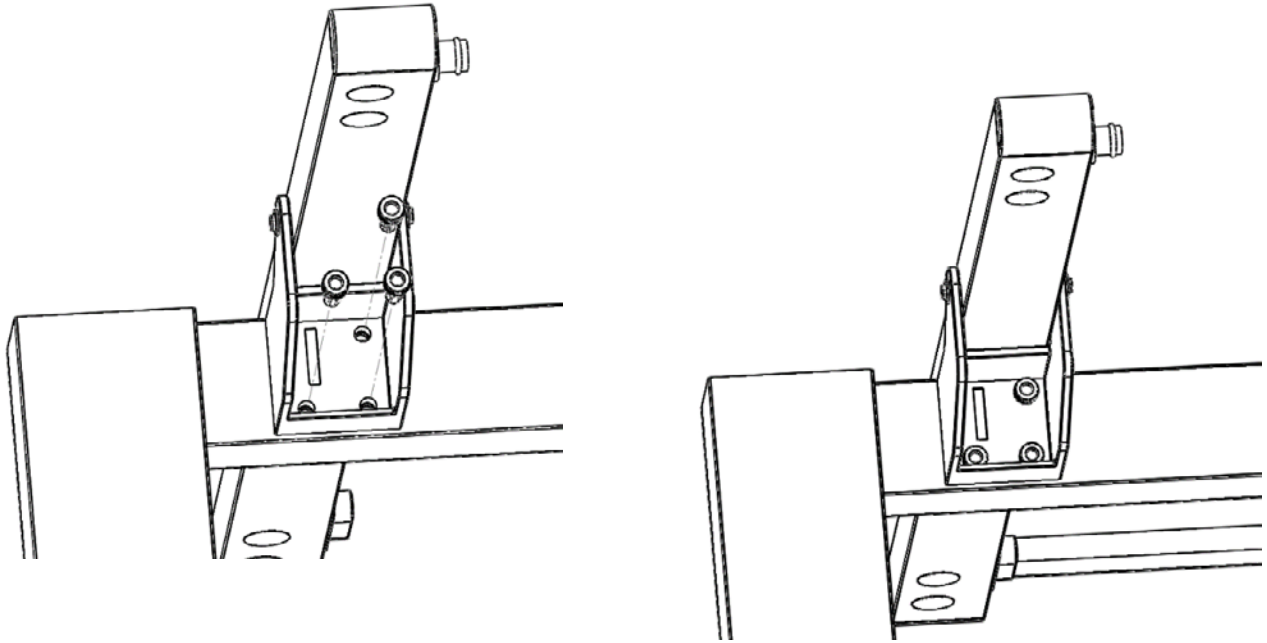
Align the tab from the top support arm with the notch
of the cross beam

6



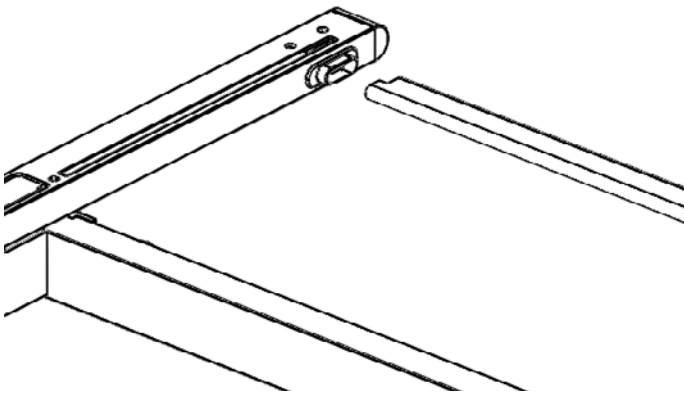
Lower the "Support Arm Bracket" down until the
locking hook from the support arm is engaged with
the latch plate on the "Cross Beam". This will hold the
arm in place while the mounting screws are being
installed.

7



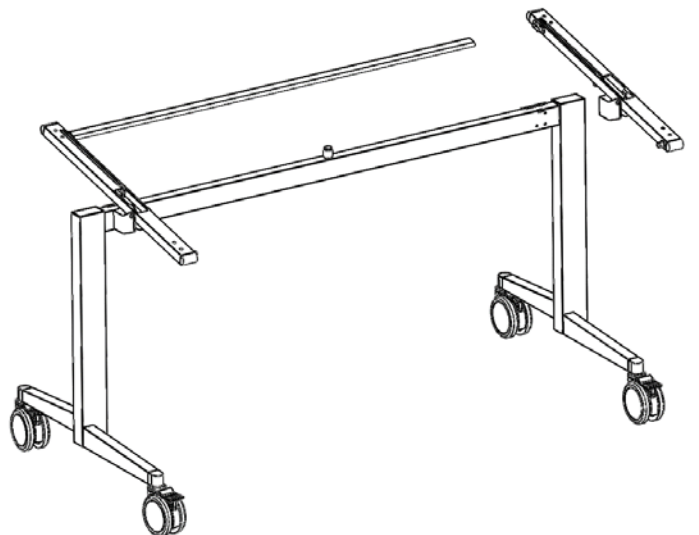
From the bottom of the other side of the cross beam, install (3) M6 x 16 Cap Head Screws through the "Support Arm Bracket" and into the three tapped holes on the "Cross Beam".

8



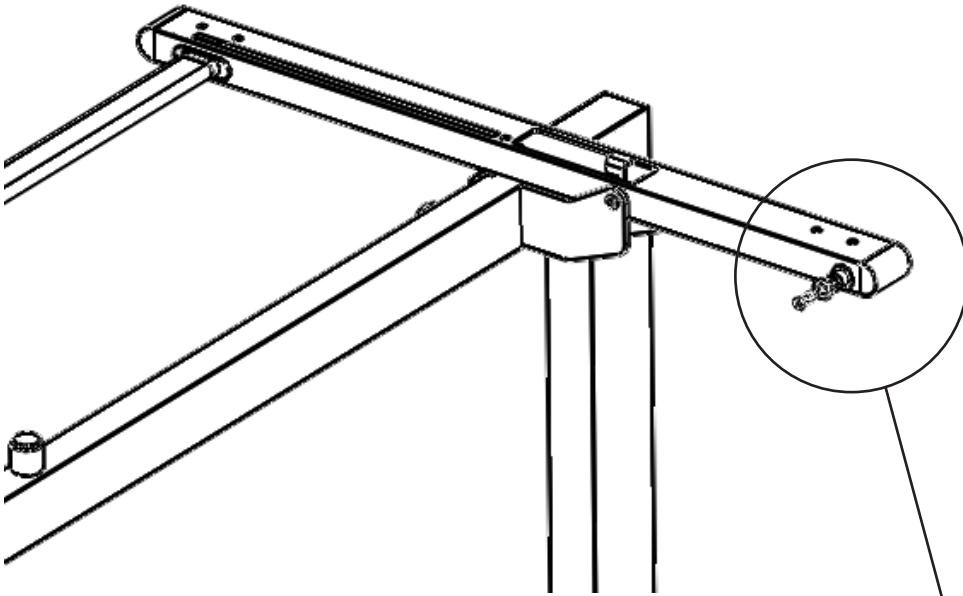
Slide the "Release Pull Bar" into the socket of the mounted "Support Arm Bracket".

9



Slide the left "Support Arm Bracket" on the other end of the "Release Pull Bar" and mount the left handed support arm with the remaining (3) M6 x 16 cap head screws.

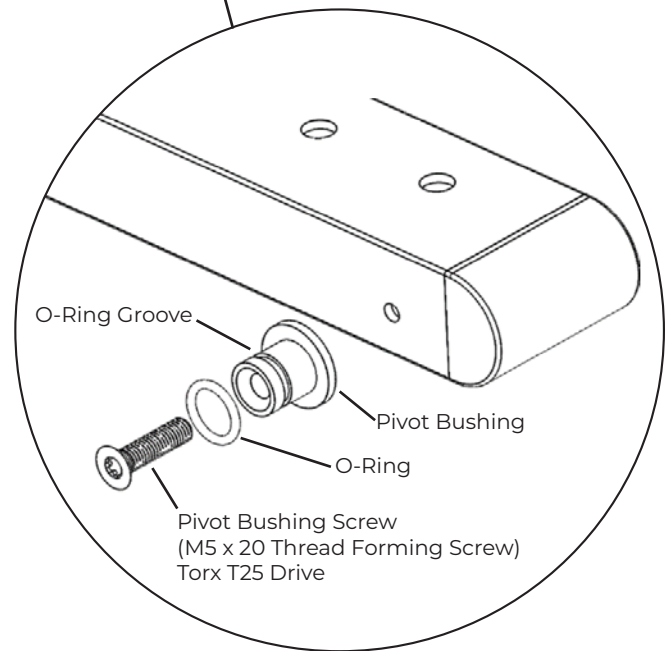
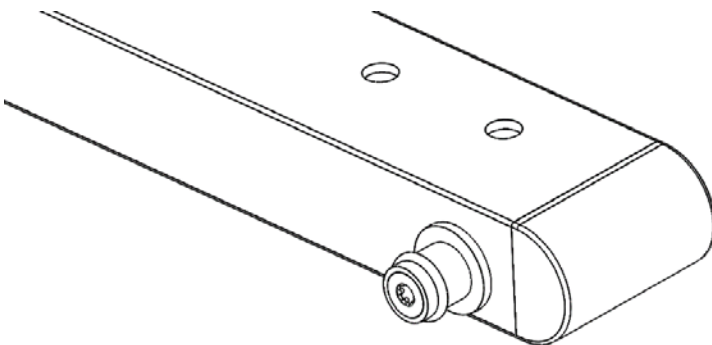
10



OPTIONAL

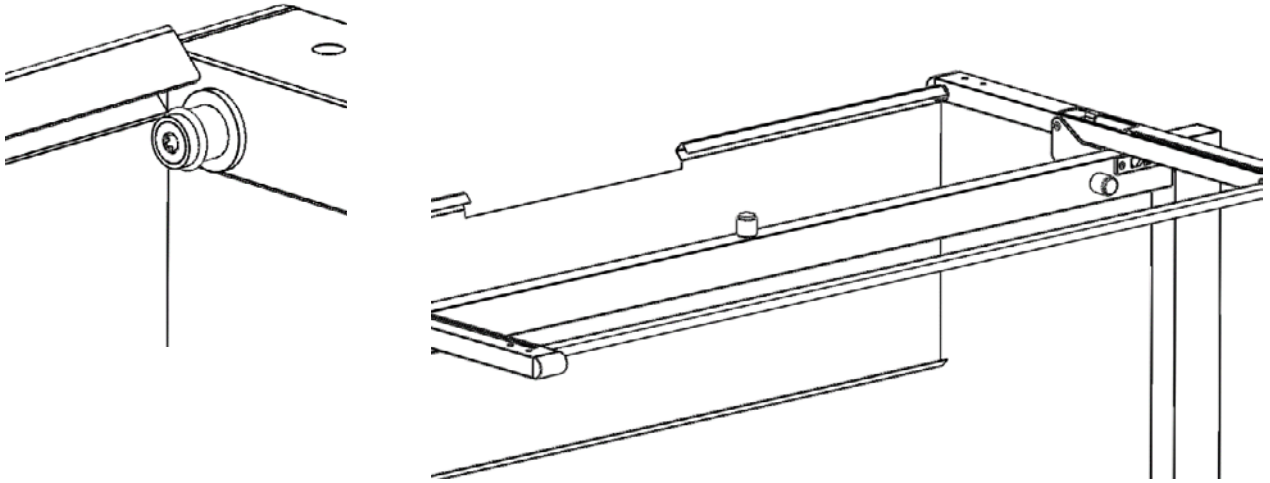
Locate the modesty panels bracket hardware if this option was purchased and mount as shown below.

11



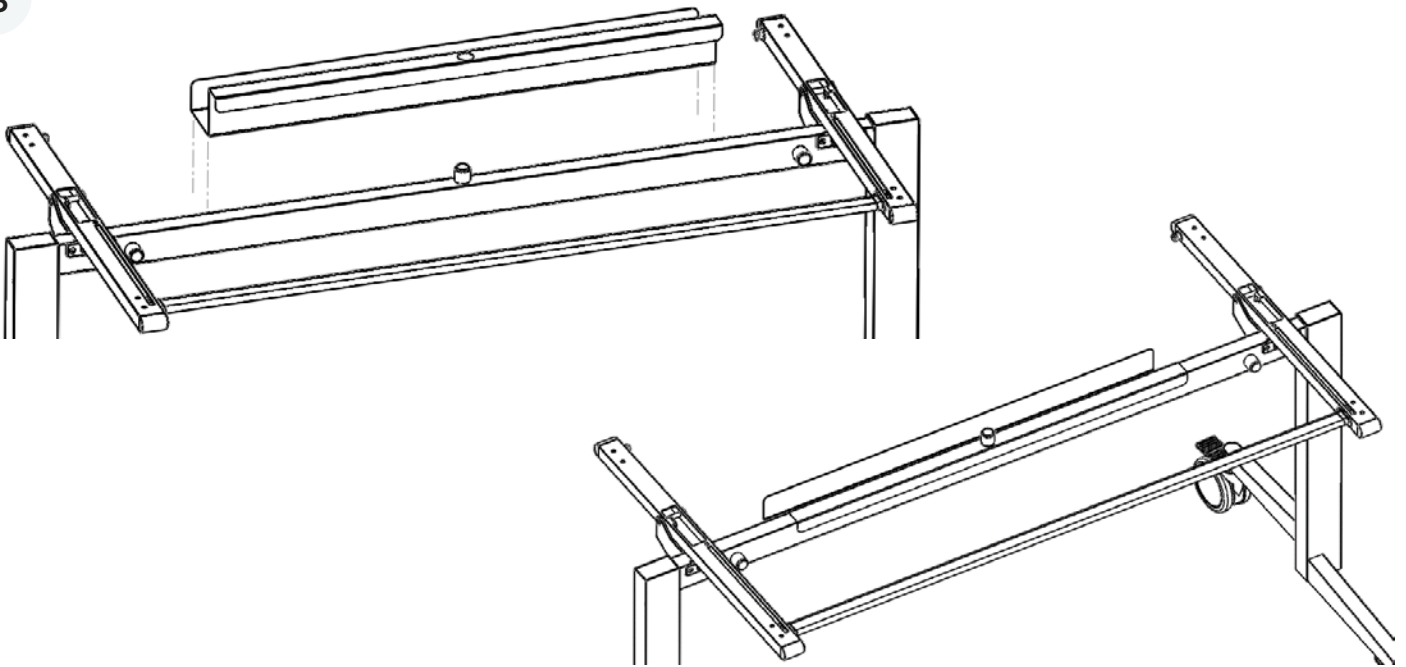
Slide the “O-Ring” over the end of the “Pivot Bushing” and into the O-Ring groove. Then run the M5 x 20 “Thread Forming Screw” thru the bracket and into the “Support Arm” as shown to the right. Assembled hardware shown above. This should be done to both the right and the left support arms.

12



Hang the modesty panel as shown above.

13



OPTIONAL

Locate the Cable tray if this option was purchased and mount as shown above.



Peter Meier Inc.,
1255 South Park Dr.
Kernersville, NC 27284 USA
T. 800-222-6941
E. info@petermeier.com