



**HOME AND OFFICE SOLUTIONS**

# ELT10-2-24-GRY (Frame Only)

<b>Number of Motors</b>	2 Motors
<b>Lift Column</b>	2 Columns
<b>Power Input</b>	110v
<b>Height Adj. Range</b>	23.8" (60cm) - 49.4" (125cm)
<b>Travel Speed</b>	1.2" (30mm) per second
<b>Desk Frame Width</b>	39.4" (1000mm) - 70.9" (1800mm) Max
<b>For PMI Desk top Models</b>	RTT-24xx-xxx
<b>Maximum Load Capacity</b>	220 lbs (100kg)
<b>Frame Color</b>	Grey or Black (White for Special Order Only)
<b>Packaged Weight</b>	70 lbs (32kg)
<b>Packaged Size</b>	43" x 15-5/8" x 7-1/8" (1095 x 395 x 180mm)
<b>Duty Cycle</b>	10%, Max. 2 Minutes on, 18 Minutes off

**Features**

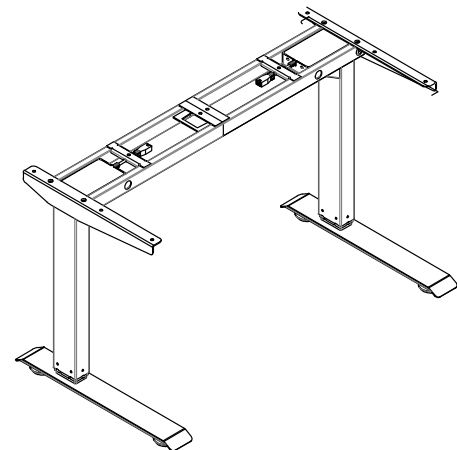
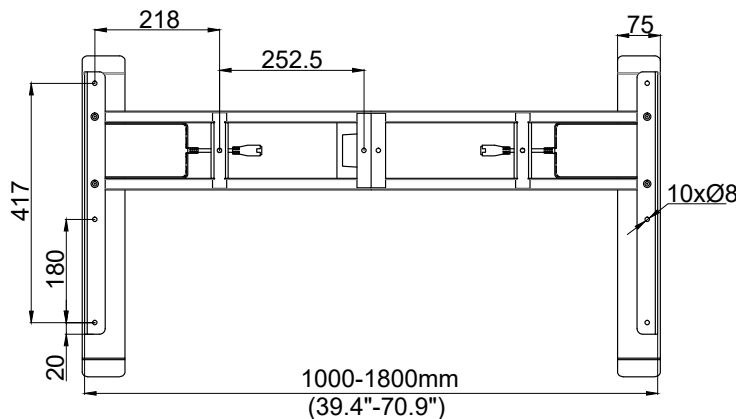
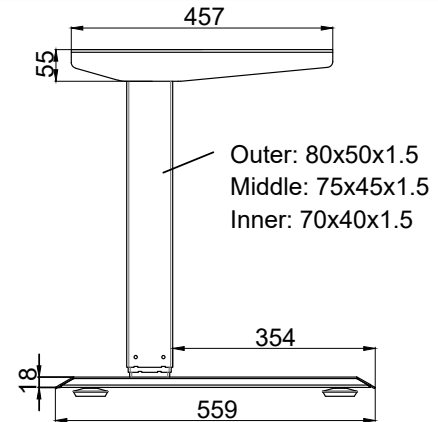
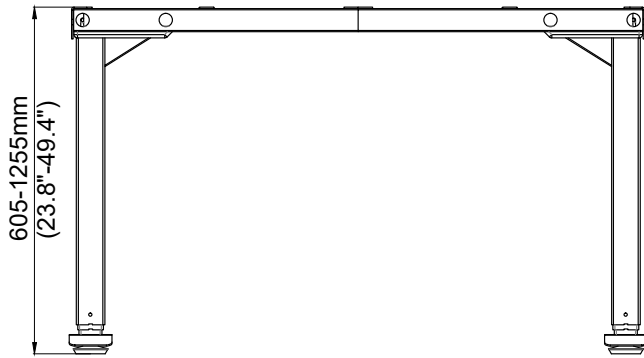
- Digital Height Display
- 4 Memory Preset
- Telescopic Frame
- Anti-Collision Detection
- Heat Protection
- Soft Start/Stop
- Adjustable Leveling Glides
- UL Certification



Item number	Size	Finish
<b>ELT10-2-24-GRY</b>	24" Deep	Grey
<b>ELT10-2-24-BLK</b>	24" Deep	Black



2-Column "C" style desk frame is designed for 24" deep tops. Telescopic frame ranges from 39" to 71" width. Features dual motors for a lift and lower motion up to 1.2" per second, Anti-collision technology to prevent damages and an easy to operate 4 memory LED display controller.



# ELT10-2-30-GRY (Frame Only)

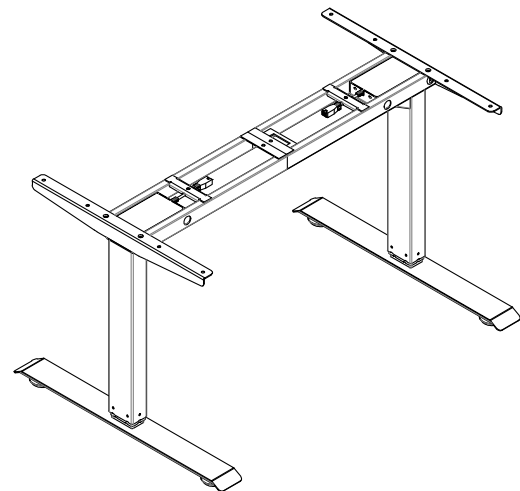
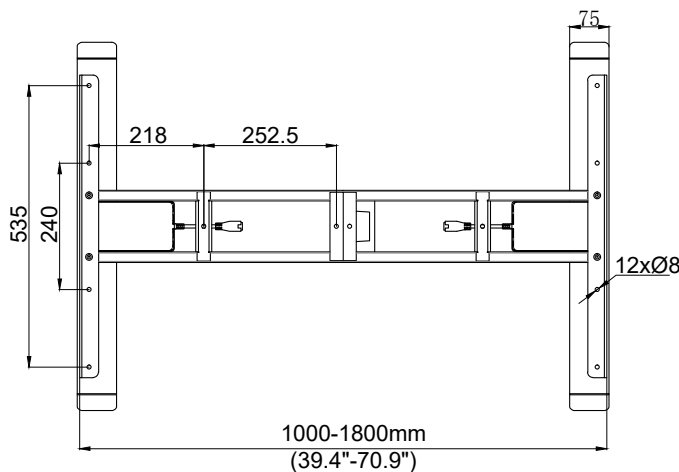
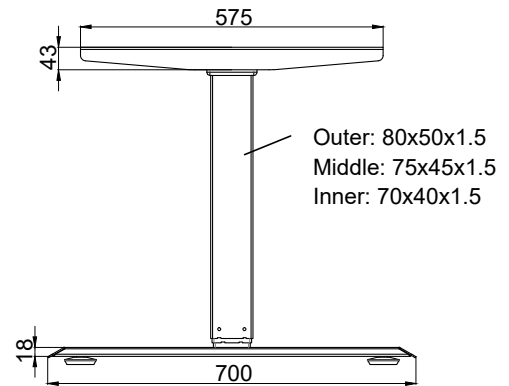
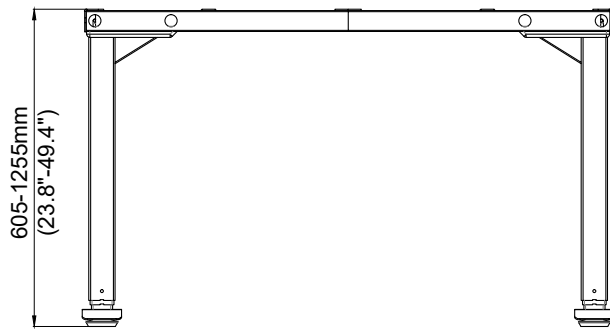
<b>Number of Motors</b>	2 Motors
<b>Lift Column</b>	2 Columns
<b>Power Input</b>	110v
<b>Height Adj. Range</b>	23.8" (60cm) - 49.4" (125cm)
<b>Travel Speed</b>	1.2" (30mm) per second
<b>Desk Frame Width</b>	39.4" (1000mm) - 70.9" (1800mm) Max
<b>For PMI Desk top Models</b>	RTT-31xx-xxx
<b>Maximum Load Capacity</b>	220 lbs (100kg)
<b>Frame Color</b>	Grey or Black (White for Special Order Only)
<b>Packaged Weight</b>	74 lbs (33.5kg)
<b>Packaged Size</b>	43" x 15-5/8" x 7-1/8" (1095 x 395 x 180mm)
<b>Duty Cycle</b>	10%, Max. 2 Minutes on, 18 Minutes off
<b>Features</b>	
<ul style="list-style-type: none"> <li>• Digital Height Display</li> <li>• 4 Memory Preset</li> <li>• Telescopic Frame</li> <li>• Anti-Collision Detection</li> <li>• Heat Protection</li> </ul>	<ul style="list-style-type: none"> <li>• Soft Start/Stop</li> <li>• Adjustable Leveling Glides</li> <li>• UL Certification</li> <li>• ANSI/BIFMA Certified</li> </ul>



Item Number	Size	Finish
<b>ELT10-2-30-GRY</b>	30" Deep	Grey
<b>ELT10-2-30-BLK</b>	30" Deep	Black



2-Column "T" style desk frame is designed for 30" deep tops. Telescopic frame ranges from 39" to 71" width. Features dual motors for a lift and lower motion up to 1.2" per second, Anti-collision technology to prevent damages and an easy to operate 4 memory LED display controller.



# ELT10-3A-30-GRY (Frame Only)

<b>Number of Motors</b>	3 Motors
<b>Lift Column</b>	3 Columns
<b>Power Input</b>	110v
<b>Height Adj. Range</b>	23.8" (60cm) - 49.4" (125cm)
<b>Travel Speed</b>	1.2" (30mm) per second
<b>Desk Frame Width</b>	39.4" (1000mm) - 70.9" (1800mm) Max 56.3" (1430mm) - 87.8" (2230mm)
<b>Desk top Size</b>	Min. 60" x 60" (1524 x 1524mm) Max. 72" x 84" (1829 x 2134mm)
<b>Maximum Load Capacity</b>	330 lbs (150kg)
<b>Frame Color</b>	Grey (White or Black for Special Order Only)
<b>Packaged Weight</b>	116 lbs (53kg)
<b>Packaged Size</b>	41-3/4" x 14" x 10-1/4" (1060 x 355 x 260mm)
<b>Duty Cycle</b>	10%, Max. 2 Minutes on, 18 Minutes off

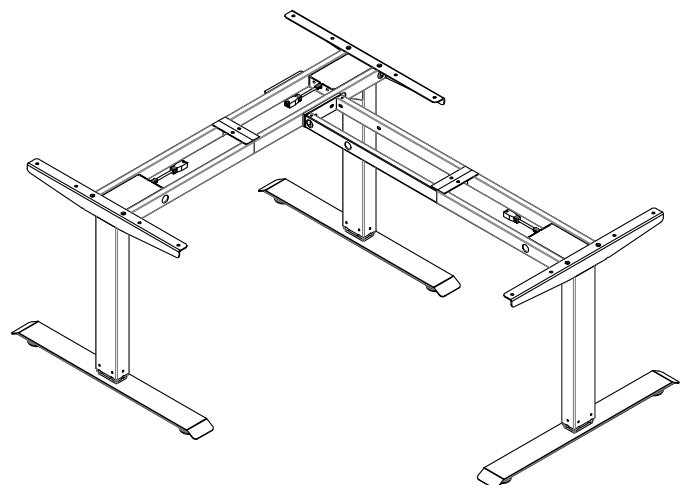
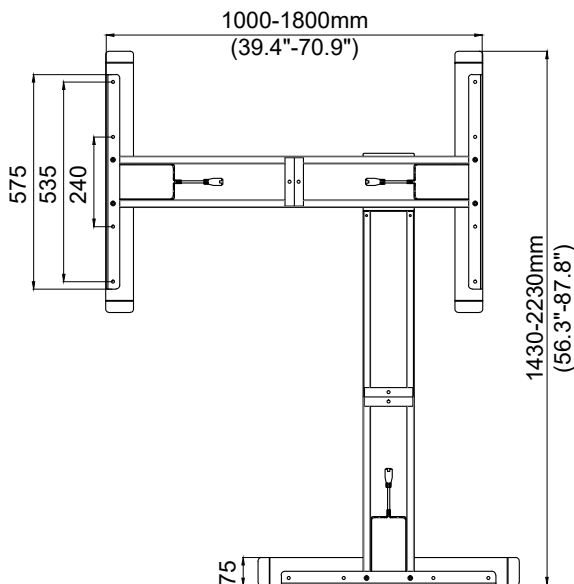
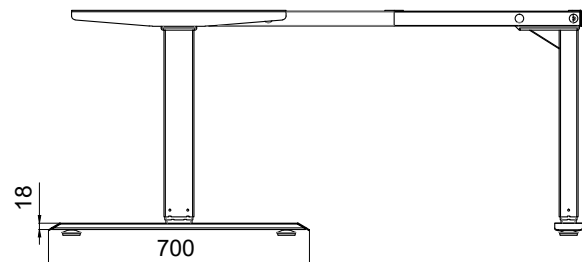
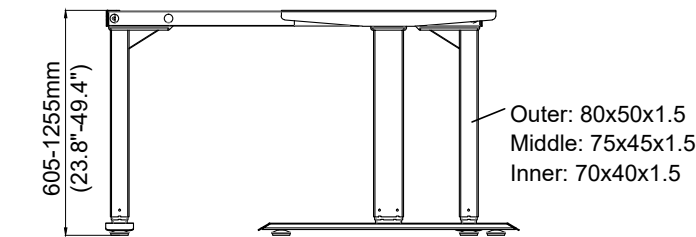
**Features**

- Digital Height Display
- 4 Memory Preset
- Dual Telescopic Frame
- Anti-Collision Detection
- Heat Protection
- Soft Start/Stop
- Adjustable Leveling Glides
- UL Certification
- ANSI/BIFMA Certified



3-Column "L" shape desk frame is well suited for corner spaces as a 90 degree workstation. The desk frame is designed for 30" deep tops and the telescopic frame ranges from 39" to 71" and 56" to 88" Features 3 motors, anti-collision technology and an easy to operate 4 memory LED display controller.

Item Number	Size	Finish
ELT10-3A-30-GRY	30" Deep	Grey



# Wood Desk Tops

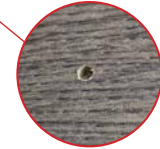
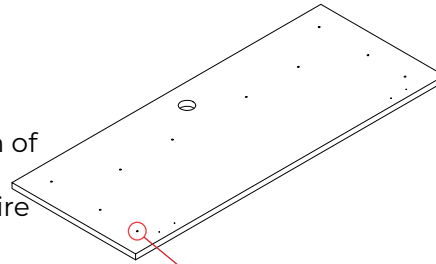
Ash and Walnut

Rectangular Desk Tops are available for 24" or 30" deep desk frames.

Tops have pre-drilled holes to the suggested length of PMI's Electric desk frames for faster installation. Grommet is included for cable pass through and wire management.

Note: Desk frames extend to fit a 59" or 70-7/8" top.

- Ash or Walnut Melamine
- 1" (25mm) Thick
- 1/8" (3mm) ABS edgebanding
- Pre-drilled holes
- Mounting wood screws are included
- 2-3/8" (60mm) Grommet in Silver



Pre-drilled holes



Walnut



Ash

## Rectangular Desk Top 24" Deep

For ELT10-2-24 (Desktop Only)

Item Number	Size	Finish
<b>RTT-2459-ASH</b>	23-5/8" x 59" x 1" (600mm X 1500mm X 25mm)	Ash
<b>RTT-2459-WAL</b>	23-5/8" x 59" x 1" (600mm X 1500mm X 25mm)	Walnut
<b>RTT-2471-ASH</b>	23-5/8" x 70-7/8" x 1" (600mm X 1800mm X 25mm)	Ash
<b>RTT-2471-WAL</b>	23-5/8" x 70-7/8" x 1" (600mm X 1800mm X 25mm)	Walnut



## Rectangular Desk Top 30" Deep

For ELT10-2-30 (Desktop Only)

Item Number	Size	Finish
<b>RTT-3159-ASH</b>	31-1/2" X 59" X 1" (800mm X 1500mm X 25mm)	Ash
<b>RTT-3159-WAL</b>	31-1/2" X 59" X 1" (800mm X 1500mm X 25mm)	Walnut
<b>RTT-3171-ASH</b>	31-1/2" X 70-7/8" X 1" (800mm X 1800mm X 25mm)	Ash
<b>RTT-3171-WAL</b>	31-1/2" X 70-7/8" X 1" (800mm X 1800mm X 25mm)	Walnut



# 8030 SERIES

## Flip-Top Nesting X Table Base

- Nesting leg design for easy storage
- #201 Stainless Steel, brushed finish
- Secure table top lock in vertical and horizontal position
- Mounting plate with Flip-Top mechanism
- Easy cable management through column
- 4 Locking casters included
- For indoor and outdoor applications
- Table and Bar height available
- Custom colors available. Please inquire



### Features:



**#201 Stainless Steel**  
Durable #201 stainless steel finish pairs well with any table top color. Available in 29 1/4" Table Height and 40 1/4" Bar Height.

**Nesting Design**  
30" X Style base features a nesting design for a space saving storage solution.

**Flip-Top Mounting Plate**  
Easy to release handle locks the table top while in use or in stow-away position.

**Wire Pass-through Feature**  
3/4" hole on top and bottom of the column for adding electrical options to your table top.

**Locking Casters**  
3" Locking casters can lock into place for safe use.



Description - TABLE HEIGHT	Item Number	Base Spread	Top Plate	Column Diameter	Overall Height	Recommended Top Size	Packed
Table Base 30", Nesting X Base	8030-29-SS	30"	17" Flip-Top Spider	2-3/8"	29-1/4"	36" Round	1 Base

Description - BAR HEIGHT	Item Number	Base Spread	Top Plate	Column Diameter	Overall Height	Recommended Top Size	Packed
Table Base 30", Nesting X Base	8030-41-SS	30"	17" Flip-Top Spider	2-3/8"	40-1/4"	36" Round	1 Base

# M1360 SERIES

## Flip-Top Nesting Desk Frame

- Nesting design for easy storage
- Steel powder coated frame
- Grey or Black finish
- Stable and secured flip-top mechanism
- 4 Locking casters included
- Easy to assemble
- Modesty panel and cable management tray available
- Frame is available in various widths and lengths
- Special design for training centers, conference rooms, schools, and offices



### Flip-Top Mechanism

Easy to release handle locks the table top while in use or in stow-away position.

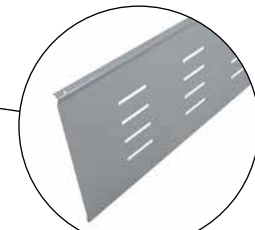


### Nesting Design

"T" Style base features a nesting design for a space saving storage solution.



### Optional Cable Management Tray



### Optional Modesty Panel

### Locking Casters

3" Locking casters can lock into place for safe use.

Item Number	Description	Size L-W-H	Recommended Desk Top Size	Finish
M1360-30-GRY	Nesting Flip-Top Desk Frame	56-1/4" x 27-1/2" x 28-1/2"	60" x 30"	Grey
M1360-30-BLK	Nesting Flip-Top Desk Frame	56-1/4" x 27-1/2" x 28-1/2"	60" x 30"	Black
M1360-36-GRY	Nesting Flip-Top Desk Frame	56-1/4" x 33-1/2" x 28-1/2"	60" x 36"	Grey
M1360-36-BLK	Nesting Flip-Top Desk Frame	56-1/4" x 33-1/2" x 28-1/2"	60" x 36"	Black
M1360-MP-GRY	Modesty Panel	44-3/4" x 13" x (18 ga.)	-	Grey
M1360-MP-BLK	Modesty Panel	44-3/4" x 13" x (18 ga.)	-	Black
M1360-CT-GRY	Cable Management Tray	31-1/2" x 4-1/2" x 3-1/4"	-	Grey
M1360-CT-BLK	Cable Management Tray	31-1/2" x 4-1/2" x 3-1/4"	-	Black



## CONTACT INFO

1255 South Park Dr,  
Kernersville, NC 27284 USA  
Tel. 336-996-7774  
Fax 336-996-1812  
Toll Free 800-222-6941  
E-mail: [info@petermeier.com](mailto:info@petermeier.com)  
[www.petermeier.com](http://www.petermeier.com)

