



Drilling template

The drilling template - made up of a structure and two insertions - makes it possible to create two slots for the invisible hinges and is made of 5 mm thick anodized aluminium plates. The strength of the materials guarantees a precise execution of the slots made with a manual pantograph (10 mm diam. cutter and 16 mm external ring provided to all manual pantographs).

For each model of hinge, two types of insertions (supplied separately) are used: one (A) to execute the butt slots and the other (B) for the internal depth slot.

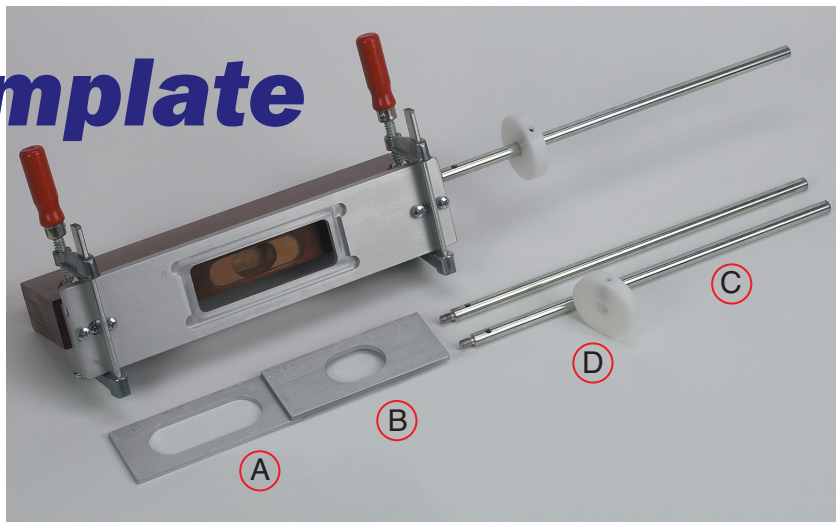
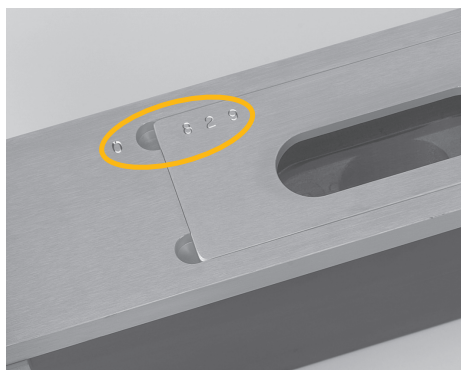
Extension poles (C):

with a nylon ring (D), they allow to fix the wanted distance of the slots on the door - both left and right - and on the frame.

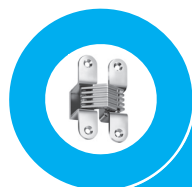
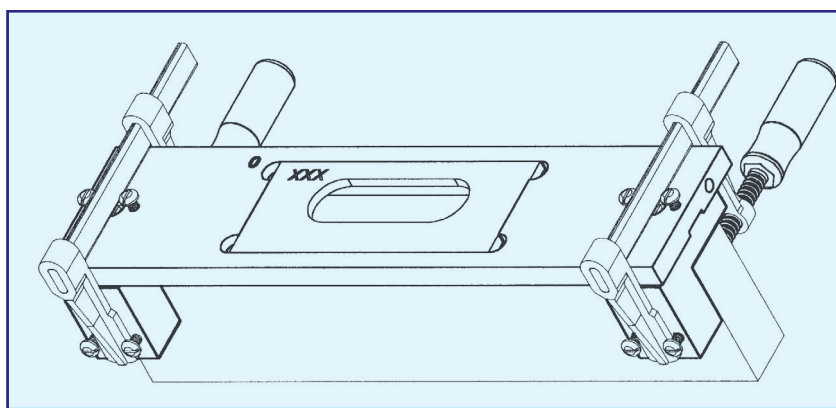
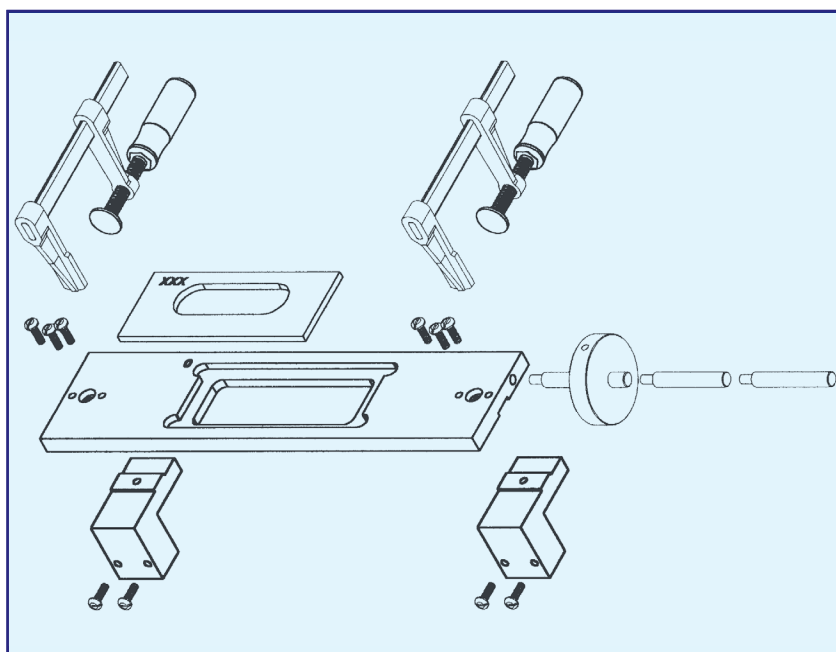
Blocking clamps

The blocking clamps enable the fastening - on the door or on the jambs - of the template for the execution of the slots.

Very important for the correct use assembly of the insertion. The reference stamped on the template and the code on the insertions on the same side.



Demo clip on: www.ceamitalia.it



CEAM

Passion
for movement

