

Table Bases

Stainless Steel, Aluminum and Cast Iron Designs



Features:

Our Table Bases are available in Table and Bar heights and most can be cut to any custom height. These bases are strong and durable, made of either Cast Iron, Stainless Steel or Aluminum. The Cast Iron bases are available in a

Black Matte Wrinkle finish and some Black Semi-gloss and Chrome finishes are available. Cast Iron bases can also be ordered in Raw or Custom Colors to complement your décor. Our Stainless Steel and Aluminum bases

are available in a Brushed Finish. Most bases can be shipped via UPS or in larger bulk quantities via LTL carrier. All bases are easily assembled for indoor use. Ask about our new 'Labor Saver' options for even quicker assembly time.

Table of Contents

Brushed Stainless Steel Table Bases:

Turin Round Bases.....	1
Verona Square Bases w/ Round Columns	2
Verona Square Bases w/ Square Columns	2
Ravenna 4/5 Leg Prong Bases.....	3

Aluminum Table Bases:

Trapani Prong Bases.....	4
Palermo Trumpet Bases.....	4

Cast Iron Table Bases:

Signature Black Matte Round Bases.....	5
Signature Black Matte Style X Bases.....	6
Signature Black Matte Arc Bases.....	7
Black Matte Decorative Bases.....	8
Black Semi-Gloss Ornamental Bases.....	8
Signature Black Matte Sun Bases.....	9
Signature Black Semi-Gloss Radiant Bases.....	9
Signature Chrome Style X Bases.....	10

Labor Saver Options.....	10
---------------------------------	----

Lift Bases	11
-------------------------	----

Accessories:

Twister Table Leg Adapter Brackets.....	11
KEA Plates and Hanger Bolts	12
Table Shox	12
Foot Rings	13
Glass Table Top Adapters	13
Table Top Connectors	13

4000 Series Turin Line – Round Bases



TABLE HEIGHT BASES

ITEM NO.	DESCRIPTION	BASE SPREAD	TOP PLATE	COLUMN DIA.	OVER-ALL HEIGHT	MAX TOP SIZE	PACKED
4008-28-SS	Table Base 8", Round, Bolt Down	8"	12" square	3"	28-3/8"	24" x 24"	1 base
4017-28-SS	Table Base 18", Round	18"	12" square	3"	28-5/8"	30" x 30"	1 base
4022-28-SS	Table Base 22", Round	22-1/4"	12" square	3"	28-5/8"	36" x 36"	1 base
4030-28-SS *	Table Base 30", Round	30"	12" square	3"	28-5/8"	60" round	1 base
4030-28-SS-TRI *	Table Base 30", Round, Tri-Leg	30"	12" square	3"	28-5/8"	60" round	1 base

* These units are not UPSable.



BAR HEIGHT BASES

ITEM NO.	DESCRIPTION	BASE SPREAD	TOP PLATE	COLUMN DIAMETER	OVER-ALL HEIGHT	MAX TOP SIZE	PACKED
4008-43-SS	Table Base 8", Round, Bolt Down	8"	12" square	3"	40-1/8"	24" x 24"	1 base
4017-43-SS	Table Base 18", Round	18"	12" square	3"	40-3/8"	30" x 30"	1 base
4022-43-SS	Table Base 22", Round	22"	12" square	3"	40-3/8"	36" x 36"	1 base
4030-43-SS *	Table Base 30", Round	30"	12" square	3"	40-3/8"	60" round	1 base
4030-43-SS-TRI *	Table Base 30", Round, Tri-Leg	30"	12" square	3"	40-3/8"	60" round	1 base

* These units are not UPSable.

Br. Stainless Steel



5000 Series Verona Line – Square Bases

- with a Steel *Round Column*

TABLE HEIGHT BASES

ITEM NO.	DESCRIPTION	BASE SPREAD	TOP PLATE	COLUMN DIAMETER	OVERALL HEIGHT	MAX TOP SIZE	PACKED
5017-28-SS	Table Base 17", Square	17"	12" square	3"	28-5/8"	24" x 24"	1 base
5022-28-SS	Table Base 22", Square	22"	12" square	3"	28-5/8"	30" x 30"	1 base
5030-28-SS *	Table Base 30", Square	30"	12" square	3"	28-5/8"	42" x 42"	1 base
50RE-28-SS	Table Base 16"x28", Rectangular	16" x 28"	12" square	3"	28-5/8"	36" x 42"	1 base

* These units are not UPSable.

BAR HEIGHT BASES

ITEM NO.	DESCRIPTION	BASE SPREAD	TOP PLATE	COLUMN DIAMETER	OVERALL HEIGHT	MAX TOP SIZE	PACKED
5017-43-SS	Table Base 17", Square	17"	12" square	3"	40-3/8"	24" x 24"	1 base
5022-43-SS	Table Base 22", Square	22"	12" square	3"	40-3/8"	30" x 30"	1 base
5030-43-SS *	Table Base 30", Square	30"	12" square	3"	40-3/8"	42" x 42"	1 base
50RE-43-SS	Table Base 16"x28", Rectangular	16" x 28"	12" square	3"	40-3/8"	36" x 42"	1 base

* These units are not UPSable.

5000 Series Verona Line – Square Bases

- with a Steel *Square Column*



TABLE HEIGHT BASES

ITEM NO.	DESCRIPTION	BASE SPREAD	TOP PLATE	COLUMN DIAMETER	OVERALL HEIGHT	MAX TOP SIZE	PACKED
5017-28-SS-SQ	Table Base 17", Square	17"	12" square	3"	28-5/8"	24" x 24"	1 base
5022-28-SS-SQ	Table Base 22", Square	22"	12" square	3"	28-5/8"	30" x 30"	1 base
5030-28-SS-SQ *	Table Base 30", Square	30"	12" square	3"	28-5/8"	42" x 42"	1 base
50RE-28-SS-SQ	Table Base 16"x28", Rectangular	16" x 28"	12" square	3"	28-5/8"	36" x 42"	1 base

* These units are not UPSable.

BAR HEIGHT BASES

ITEM NO.	DESCRIPTION	BASE SPREAD	TOP PLATE	COLUMN DIAMETER	OVERALL HEIGHT	MAX TOP SIZE	PACKED
5017-43-SS-SQ	Table Base 17", Square	17"	12" square	3"	40-3/8"	24" x 24"	1 base
5022-43-SS-SQ	Table Base 22", Square	22"	12" square	3"	40-3/8"	30" x 30"	1 base
5030-43-SS-SQ *	Table Base 30", Square	30"	12" square	3"	40-3/8"	42" x 42"	1 base

* These units are not UPSable.



7000 Series Ravenna Line – 4/5 Leg SS Prong Bases

* The Ravenna Line cannot be cut down due to the plate being welded onto the inside of the tube.



TABLE HEIGHT BASES

ITEM NO.	DESCRIPTION	BASE SPREAD	TOP PLATE	COLUMN DIAMETER	OVERALL HEIGHT	MAX TOP SIZE	PACKED
7003-28-SS	Table Base 25", T-leg, Set of 2, w/o Connecting Rod	25"	12" square	2.5"	28-1/2"	30" x 96"	1 base
7004-28-SS	Table Base 25", T-leg, Set of 2, with Connecting Rod	25"	12" square	2.5"	28-1/2"	30" x 96"	1 base
7425-28-SS	Table Base 25" x 25", 4-leg, Prong	25"	12" square	3"	28-1/2"	30" x 30"	1 base
7518-28-SS	Table Base 18" x 18", 5-leg, Prong	18"	12" square	3"	28-1/2"	48" Round	1 base
7525-28-SS	Table Base 25", 5-leg, Prong	25"	12" square	3"	28-1/2"	54" Round	1 base
7529-28-SS	Table Base 29", 5-leg, Prong	29"	12" square	3"	28-1/2"	60" Round	1 base



BAR HEIGHT BASES

ITEM NO.	DESCRIPTION	BASE SPREAD	TOP PLATE	COLUMN DIAMETER	OVER-ALL HEIGHT	MAX TOP SIZE	PACKED
7003-43-SS	Table Base 25", T-leg, Set of 2, w/o Connecting Rod	25"	12" square	2.5"	42-3/8"	30" x 96"	1 base
7004-43-SS	Table Base 25", T-leg, Set of 2, with Connecting Rod	25"	12" square	2.5"	42-3/8"	30" x 96"	1 base
7525-43-SS	Table Base 25", 5-leg, Prong	25"	12" square	3"	42-3/8"	54" Round	1 base

2200 Series Trapani Line – Al. Prong Bases



TABLE HEIGHT BASES

ITEM NO.	DESCRIPTION	BASE SPREAD	TOP PLATE	COLUMN DIAMETER	OVERALL HEIGHT	MAX TOP SIZE	PACKED
2223-29-AL	Table Base 23" x 23", 4-leg, Prong	23"	19"	2.5"	28-1/2"	30" x 30"	1 base
2224-29-AL	Table Base 24", 3-leg, Prong	24"	19"	2.5"	28-1/2"	24" x 24"	1 base
2225-29-AL	Table Base 25", T-leg, with Rod	25"	19"	2-1/4"	28-1/2"	30" x 96"	1 base
2226-29-AL	Table Base 26" x 26", 4-leg, Prong	26"	19"	2.5"	28-1/2"	36" x 36"	1 base

BAR HEIGHT BASES

ITEM NO.	DESCRIPTION	BASE SPREAD	TOP PLATE	COLUMN DIAMETER	OVERALL HEIGHT	MAX TOP SIZE	PACKED
2223-43-AL	Table Base 23" x 23", 4-leg, Prong	23"	19"	2.5"	42-1/2"	30" x 30"	1 base
2224-43-AL	Table Base 24", 3-leg, Prong	24"	19"	2.5"	42-1/2"	24" x 24"	1 base
2225-43-AL	Table Base 25", T-leg, with Rod	25"	19"	2.5"	42-3/4"	30" X 96"	1 base
2226-43-AL	Table Base 26" x 26", 4-leg, Prong	26"	19"	2.5"	42-1/2"	36" x 36"	1 base

6000 Series Palermo Line – Trumpet Bases



TABLE HEIGHT BASES

ITEM NO.	DESCRIPTION	BASE SPREAD	TOP PLATE	COLUMN DIAMETER	OVERALL HEIGHT	MAX TOP SIZE	PACKED
6020-28-AL	Table Base 20", Trumpet	20"	12" square	2-5/8"	28-5/8"	24" x 24"	1 base
6022-28-AL	Table Base 22", Trumpet	22"	12" square	2-5/8"	28-5/8"	36" x 36"	1 base

BAR HEIGHT BASES

ITEM NO.	DESCRIPTION	BASE SPREAD	TOP PLATE	COLUMN DIAMETER	OVERALL HEIGHT	MAX TOP SIZE	PACKED
6020-43-AL	Table Base 20", Trumpet	20"	12" square	2-5/8"	40-1/2"	24" x 24"	1 base
6022-43-AL	Table Base 22", Trumpet	22"	12" square	2-5/8"	40-1/2"	36" x 36"	1 base

Cast Iron - Black Matte.



3000 Series Signature Line – Round Bases

- Most items available in set and bulk packaging



TABLE HEIGHT BASES

SET PACK ITEM NO.	DESCRIPTION	BASE SPREAD	TOP PLATE	COLUMN DIAMETER	OVERALL HEIGHT	MAX TOP SIZE	PACKED
3306-29-MT	Table Base 6-1/8" Round, Bolt Down	6-1/8"	12" square	3"	28-1/2"	24" x 24"	1 base
3017-29-MT	Table Base 17" Round	17"	9"	3"	28-3/4"	24" x 24"	1 base
3018-29-MT	Table Base 18" Round	18"	9"	3"	28"	24" x 24"	1 base
3022-29-MT	Table Base 22" Round	22"	9"	3"	28-3/4"	36" x 36"	1 base
3030-29-MT	Table Base 30" Round	30"	14"	4"	28-3/4"	72" round	1 base

BULK PACK ITEM NO.	DESCRIPTION	BASE SPREAD	TOP PLATE	COLUMN DIAMETER	OVERALL HEIGHT	MAX TOP SIZE	PACKED
3017-29-MTB	Table Base 17" Round	17"	9"	3"	28-3/4"	24" x 24"	2 bases
3018-29-MTB	Table Base 18" Round	18"	9"	3"	28"	24" x 24"	2 bases
3022-29-MTB	Table Base 22" Round	22"	9"	3"	28-3/4"	36" x 36"	2 bases
3030-29-MTB	Table Base 30" Round	30"	14"	4"	28-3/4"	72" round	2 bases

BAR HEIGHT BASES

SET PACK ITEM NO.	DESCRIPTION	BASE SPREAD	TOP PLATE	COLUMN DIAMETER	OVERALL HEIGHT	MAX TOP SIZE	PACKED
3306-43-MT	Table Base 6-1/8" Round, Bolt Down	6-1/8"	12" square	3"	40-3/4"	24" x 24"	1 base
3017-41-MT	Table Base 17" Round	17"	9"	3"	40-3/4"	30" x 36"	1 base
3018-41-MT	Table Base 18" Round	18"	9"	3"	40"	30" x 36"	1 base
3022-41-MT	Table Base 22" Round	22"	9"	3"	40-3/4"	42" x 42"	1 base
3022-41-MT-FR	Table Base 22" Round, w/ Foot Ring	22"	9"	3"	40-3/4"	42" x 42"	1 base
3030-41-MT	Table Base 30" Round	30"	14"	4"	40-3/4"	72" round	1 base

BULK PACK ITEM NO.	DESCRIPTION	BASE SPREAD	TOP PLATE	COLUMN DIAMETER	OVERALL HEIGHT	MAX TOP SIZE	PACKED
3017-41-MTB	Table Base 17" Round	17"	9"	3"	40-3/4"	30" x 36"	2 bases
3018-41-MTB	Table Base 18" Round	18"	9"	3"	40"	30" x 36"	2 bases
3022-41-MTB	Table Base 22" Round	22"	9"	3"	40-3/4"	42" x 42"	2 bases
3022-41-MT-FRB*	Table Base 22" Round, w/ Foot Ring	22"	9"	3"	40-3/4"	42" x 42"	2 bases
3030-41-MTB	Table Base 30" Round	30"	14"	4"	40-3/4"	72" round	2 bases

* These units are not UPSable.

Cast Iron - Black Matte



2000 Series Signature Line – Style X Bases

- Most items available in set and bulk packaging



TABLE HEIGHT BASES

SET PACK ITEM NO.	DESCRIPTION	BASE SPREAD	TOP PLATE	COLUMN DIAMETER	OVERALL HEIGHT	MAX TOP SIZE	PACKED
2001-28-MT	Table Base 5" x 22" End, Style X	5" x 22"	9"	3"	28"	36" x 96"	1 base
2003-28-MT	Table Base 5" x 30" End, Style X	5" x 30"	9"	3"	28"	36" x 96"	1 base
2022-28-MT	Table Base 22" x 22", Style X	22" x 22"	9"	3"	28"	30" x 32"	1 base
2002-28-MT	Table Base 22" x 30", Style X	22" x 30"	9"	3"	28"	30" x 42"	1 base
2004-28-MT	Table Base 24" x 30", Style X	24" x 30"	9"	3"	28"	30" x 42"	1 base
2030-28-MT	Table Base 30" x 30", Style X	30" x 30"	9"	3"	28"	42" x 42"	1 base
2033-28-MT	Table Base 33" x 33", Style X	33" x 33"	14"	3"	28-1/2"	48" x 48"	1 base
2036-28-MT	Table Base 36" x 36", Style X	36" x 36"	14"	4"	28-1/2"	54" x 54"	1 base
2040-28-MT	Table Base 40" x 40", Style X	40" x 40"	24"	4"	28-1/2"	60" Round	1 base

BULK PACK ITEM NO.	DESCRIPTION	BASE SPREAD	TOP PLATE	COLUMN DIAMETER	OVERALL HEIGHT	MAX TOP SIZE	PACKED
2001-28-MTB	Table Base 5" x 22" End, Style X	5" x 22"	9"	3"	28"	36" x 96"	2 bases
2003-28-MTB	Table Base 5" x 30" End, Style X	5" x 30"	9"	3"	28"	36" x 96"	2 bases
2022-28-MTB	Table Base 22" x 22", Style X	22" x 22"	9"	3"	28"	30" x 32"	3 bases
2002-28-MTB	Table Base 22" x 30", Style X	22" x 30"	9"	3"	28"	36" x 42"	2 bases
2030-28-MTB	Table Base 30" x 30", Style X	30" x 30"	9"	3"	28"	42" x 42"	2 bases
2033-28-MTB	Table Base 33" x 33", Style X	33" x 33"	14"	3"	28-1/2"	48" x 48"	2 bases
2036-28-MTB	Table Base 36" x 36", Style X	36" x 36"	14"	4"	28-1/2"	54" x 54"	5 bases

BAR HEIGHT BASES

SET PACK ITEM NO.	DESCRIPTION	BASE SPREAD	TOP PLATE	COLUMN DIAMETER	OVERALL HEIGHT	MAX TOP SIZE	PACKED
2001-40-MT	Table Base 5" x 22" End, Style X	5" x 22"	9"	3"	40"	36" x 96"	1 base
2003-40-MT	Table Base 5" x 30" End, Style X	5" x 30"	9"	3"	40"	36" x 96"	1 base
2022-40-MT	Table Base 22" x 22", Style X	22" x 22"	9"	3"	40"	30" x 32"	1 base
2002-40-MT	Table Base 22" x 30", Style X	22" x 30"	9"	3"	40"	30" x 42"	1 base
2004-40-MT	Table Base 24" x 30", Style X	24" x 30"	9"	3"	40"	30" x 42"	1 base
2030-40-MT	Table Base 30" x 30", Style X	30" x 30"	9"	3"	40"	42" x 42"	1 base
2033-40-MT	Table Base 33" x 33", Style X	33" x 33"	14"	3"	40-1/4"	48" x 48"	1 base
2036-40-MT	Table Base 36" x 36", Style X	36" x 36"	14"	4"	40-1/4"	54" x 54"	1 base
2040-40-MT	Table Base 40" x 40", Style X	40" x 40"	24"	4"	40-1/4"	60" Round	1 base

BULK PACK ITEM NO.	DESCRIPTION	BASE SPREAD	TOP PLATE	COLUMN DIAMETER	OVERALL HEIGHT	MAX TOP SIZE	PACKED
2001-40-MTB	Table Base 5" x 22" End, Style X	5" x 22"	9"	3"	40"	36" x 96"	10 bases
2003-40-MTB	Table Base 5" x 30" End, Style X	5" x 30"	9"	3"	40"	36" x 96"	2 bases
2022-40-MTB	Table Base 22" x 22", Style X	22" x 22"	9"	3"	40"	30" x 32"	2 bases
2002-40-MTB	Table Base 22" x 30", Style X	22" x 30"	9"	3"	40"	30" x 42"	2 bases
2004-40-MTB	Table Base 24" x 30", Style X	24" x 30"	9"	3"	40"	30" x 42"	2 bases
2030-40-MTB	Table Base 30" x 30", Style X	30" x 30"	9"	3"	40"	42" x 42"	2 bases
2036-40-MTB	Table Base 36" x 36", Style X	36" x 36"	14"	4"	40-1/4"	54" x 54"	5 bases

Cast Iron - Black Matte .



2100 Series Signature Line – ARC Bases

- Most items available in set and bulk packaging



TABLE HEIGHT BASES

SET PACK ITEM NO.	DESCRIPTION	BASE SPREAD	TOP PLATE	COLUMN DIAMETER	OVERALL HEIGHT	MAX TOP SIZE	PACKED
2101-29-MT	Table Base 3" x 24" Arc End	3" x 24"	14"	3"	29"	36" x 96"	1 base
2102-29-MT	Table Base - 24" Arc 3-leg	24" (3 legs)	14"	3"	29"	30" x 32"	1 base
2124-29-MT	Table Base - 24" x 24" Arc 4-leg	24" x 24"	14"	3"	29"	36" x 36"	1 base

BULK PACK ITEM NO.	DESCRIPTION	BASE SPREAD	TOP PLATE	COLUMN DIAMETER	OVERALL HEIGHT	MAX TOP SIZE	PACKED
2101-29-MTB	Table Base 3" x 24" Arc End	3" x 24"	14"	3"	29"	36" x 96"	2 sets
2102-29-MTB	Table Base - 24" Arc 3-leg	24" (3 legs)	14"	3"	29"	30" x 32"	2 sets
2124-29-MTB	Table Base - 24" x 24" Arc 4-leg	24" x 24"	14"	3"	29"	36" x 36"	2 sets

1000 Series Decorative Line

- Available in set packaging only
- This series cannot be cut down due to the decorative column

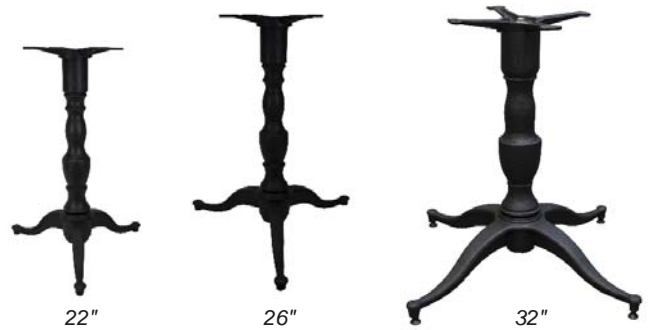


TABLE HEIGHT BASES

SET PACK ITEM NO.	DESCRIPTION	BASE SPREAD	TOP PLATE	COLUMN DIAMETER	OVERALL HEIGHT	MAX TOP SIZE	PACKED
1022-29-MT	Table Base 22" Decorative 3-Leg	22" (3 legs)	13"	3"	28"	30" x 32"	1 base
1026-29-MT	Table Base 26" Decorative 3-Leg	26" (3 legs)	13"	3"	28"	36" x 36"	1 base
1032-29-MT	Table Base 32" x 32" Decorative 4-Leg	32" x 32"	15"	4"	28"	54" Round	1 base



Cast Iron - Black Semi-Gloss



Ornamental Line

- Attractive design with a beautiful **Semi-Gloss Black** finish
- Some items are available in bulk packaging, please inquire.
- Due to unit weight and dimensions, these units are *not* recommended for shipping via UPS and a palletized shipment is preferred.
- This series cannot be cut down due to ornamental column.



16"



24"



17"



24"

TABLE HEIGHT BASES

SET PACK ITEM NO.	DESCRIPTION	BASE SPREAD	TOP PLATE	OVERALL HEIGHT	MAX TOP SIZE	PACKED
B1C5-29-MT-16	Table Base 16" Round, Ornamental	16"	9"	28-1/2"	24" x 24"	1 base
B1C5-29-MT-24	Table Base 24" Round, Ornamental	24"	15"	28-1/2"	36" x 36"	1 base
B6C6-29-MT	Table Base 17" x 17" Ornamental	17" x 17"	15"	28-1/2"	24" x 24"	1 base
B8C5-29-MT	Table Base 24" x 24" Ornamental	24" x 24"	15"	28-1/2"	48" Round	1 base

BAR HEIGHT BASES

SET PACK ITEM NO.	DESCRIPTION	BASE SPREAD	TOP PLATE	OVERALL HEIGHT	MAX TOP SIZE	PACKED
B8C5-40-MT	Table Base 24" x 24" Ornamental	24" x 24"	15"	40-3/4"	48" Round	1 base

Cast Iron - Black



3000 Series Signature Line – Sun Bases

- **Black Matte** finish



TABLE HEIGHT BASES

ITEM NO.	DESCRIPTION	BASE SPREAD	TOP PLATE	COLUMN DIAMETER	OVERALL HEIGHT	MAX TOP SIZE	PACKED
3118-29-MT	Table Base 18" Sun	18"	9"	3"	29"	24" x 24"	1 base
3122-29-MT	Table Base 22" Sun	22"	9"	3"	29"	36" x 36"	1 base
3128-29-MT	Table Base 28" Sun	28"	9"	3"	29"	42" x 42"	1 base

BAR HEIGHT BASES

ITEM NO.	DESCRIPTION	BASE SPREAD	TOP PLATE	COLUMN DIAMETER	OVERALL HEIGHT	MAX TOP SIZE	PACKED
3118-41-MT	Table Base 18" Sun	18"	9"	3"	41"	24" x 24"	1 base
3122-41-MT	Table Base 22" Sun	22"	9"	3"	41"	36" x 36"	1 base
3128-41-MT	Table Base 28" Sun	28"	9"	3"	41"	42" x 42"	1 base

3000 Series Signature Line – Radiant Bases

- **Black Semi-Gloss** finish



TABLE HEIGHT BASES

ITEM NO.	DESCRIPTION	BASE SPREAD	TOP PLATE	COLUMN DIAMETER	OVERALL HEIGHT	MAX TOP SIZE	PACKED
3217-29-MT	Table Base 17" Radiant	17"	12"	3"	28"	24" x 24"	1 base
3222-29-MT	Table Base 22" Radiant	22"	12"	3"	28"	36" x 36"	1 base

BAR HEIGHT BASES

ITEM NO.	DESCRIPTION	BASE SPREAD	TOP PLATE	COLUMN DIAMETER	OVERALL HEIGHT	MAX TOP SIZE	PACKED
3217-41-MT	Table Base 17" Radiant	17"	12"	3"	42-1/2"	24" x 24"	1 base
3222-41-MT	Table Base 22" Radiant	22"	12"	3"	42-1/2"	36" x 36"	1 base

2000 Series Signature Line – Style X Bases

- Most items are available in individual and bulk packaging
- Cast Iron with a **Chrome** finish



TABLE HEIGHT BASES

ITEM NO.	DESCRIPTION	BASE SPREAD	TOP PLATE	COLUMN DIAMETER	OVERALL HEIGHT	MAX TOP SIZE	PACKED
2001-28-CH	Table Base 5" x 22" End, Style X	5" x 22"	9"	3"	28"	36" x 96"	1 base
2022-28-CH	Table Base 22" x 22", Style X	22" x 22"	9"	3"	28"	30" x 32"	1 base
2002-28-CH	Table Base 22" x 30", Style X	22" x 30"	9"	3"	28"	30" x 42"	1 base
2030-28-CH	Table Base 30" x 30", Style X	30" x 30"	9"	3"	28"	48" Round	1 base
2036-28-CH	Table Base 36" x 36", Style X	36" x 36"	14"	4"	28"	60" Round	1 base

BAR HEIGHT BASES

ITEM NO.	DESCRIPTION	BASE SPREAD	TOP PLATE	COLUMN DIAMETER	OVERALL HEIGHT	MAX TOP SIZE	PACKED
2001-40-CH	Table Base 5" x 22" End, Style X	5" x 22"	9"	3"	40"	36" x 96"	1 base
2022-40-CH	Table Base 22" x 22", Style X	22" x 22"	9"	3"	40"	30" x 32"	1 base
2030-40-CH	Table Base 30" x 30", Style X	30" x 30"	9"	3"	40"	48" Round	1 base
2036-40-CH	Table Base 36" x 36", Style X	36" x 36"	14"	4"	40"	60" Round	1 base

Labor Savers

NEW LABOR SAVING ITEMS THAT SAVE YOU TIME

- **Column, Rod and Spider can be welded together** to make your assembly quick and easy.
- Available for **Cast Iron** Table Bases.
- Please call us for more details.



Lift Bases



ROUND LIFT BASES

ITEM NO.	DESCRIPTION	BASE SPREAD	FINISH	HEIGHT ADJUSTMENT	PACKED
692-0521-BK	<i>Round</i> Lift Base	21"	Black Matte	28" - 45"	1 base
692-0521-GY	<i>Round</i> Lift Base	21"	Grey Matte	28" - 45"	1 base
692-0521-ST	<i>Round</i> Lift Base	21"	Stainless Steel	28" - 45"	1 base
692-0526-BK	<i>Round</i> Lift Base	26"	Black Matte	28" - 45"	1 base
692-0526-GY	<i>Round</i> Lift Base	26"	Grey Matte	28" - 45"	1 base
692-0526-ST	<i>Round</i> Lift Base	26"	Stainless Steel	28" - 45"	1 base



5-SPOKE LIFT BASES

ITEM NO.	DESCRIPTION	BASE SPREAD	FINISH	HEIGHT ADJUSTMENT	PACKED
691-1030-BK	<i>5-Spoke</i> Lift Base, including Casters	30"	Black Matte	28" - 45"	1 base
691-1030-GY	<i>5-Spoke</i> Lift Base, including Casters	30"	Grey Matte	28" - 45"	1 base
694-1030-BK	<i>5-Spoke</i> Lift Base, with Adjustable Glides	30"	Black Matte	28" - 45"	1 base
694-1030-GY	<i>5-Spoke</i> Lift Base, with Adjustable Glides	30"	Grey Matte	28" - 45"	1 base

Accessories

TWISTER TABLE LEG ADAPTER BRACKET



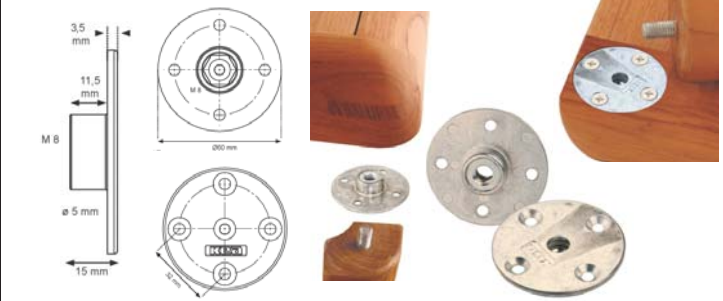
ITEM NO.	DESCRIPTION	FINISH	ADJUSTS LEG ANGLE	PACKED
02.0611.100	<i>Twister</i> Table Leg Adapter Bracket	Black ABS	0 - 20 degrees	1 each

KEA PLATES & HANGER BOLTS

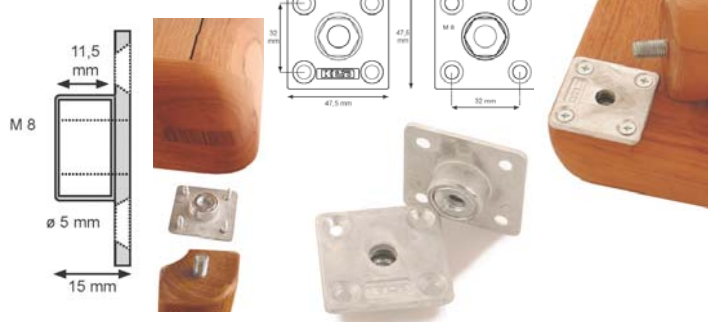
Screw-in Bushing



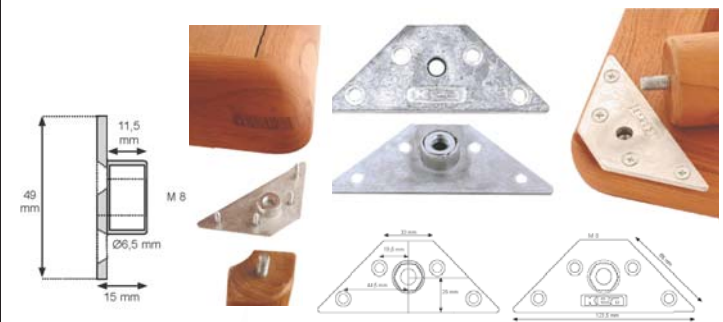
Screw-on Round Plate



Screw-on Square Plate



Screw-on Triangular Plate



Hanger Bolt



Insertion Tool for Hanger Bolt



ITEM NO.	DESCRIPTION	FINISH	DIAMETER	PACKED
02.1107.010	<i>KEA Screw-in Bushing</i> , with M8 Spring Loaded Internal Thread	Zamak	22 mm OD	1 each
02.1107.001	<i>KEA Screw-on Square Plate</i> , with M8 Spring Loaded Internal Thread	Zamak	1-7/8" x 1-7/8"	1 each
02.1107.005	<i>KEA Screw-on Round Plate</i> , with M8 Spring Loaded Internal Thread	Zamak	2-3/8"	1 each
02.1107.015	<i>KEA Screw-on Triangular Plate</i> , with M8 Spring Loaded Internal Thread	Zamak	4-7/8" x 1-1/4" x 2-5/8"	1 each
02.1213.031	<i>Hanger Bolt</i>	Zinc Plated	M8 x 70 mm	1 each
02.1213.105	<i>Insert Tool</i> for Hanger Bolt	n/a	M8 x 120 mm	1 each

TABLE SHOX

- 400 lb. load capacity per set of 4
- Auto-adjusts up to 5/16"



ITEM NO.	DESCRIPTION	FINISH	DIMENSIONS	PACKED
TS1-52-1/4-20	<i>Table Shox</i>	Black ABS with Zinc	1/4" - 20 thread	4 per box

Accessories



FOOTRINGS



3" CI Foot Ring



4" CI Foot Ring



3" SS Foot Ring

ITEM NO.	DESCRIPTION	FINISH	DIAMETER	PACKED
FOOTRING-3-CAST	<i>Foot Ring for Cast Iron Columns, 3"</i>	Black Matte	19"	1 each
FOOTRING-4-CAST	<i>Foot Ring for Cast Iron Columns, 4"</i>	Black Matte	19"	1 each
FOOTRING STAINLESS	<i>Foot Ring for Stainless Steel Columns, 3"</i>	Stainless Steel	10" x 12"	1 each

GLASS TABLE TOP ADAPTERS

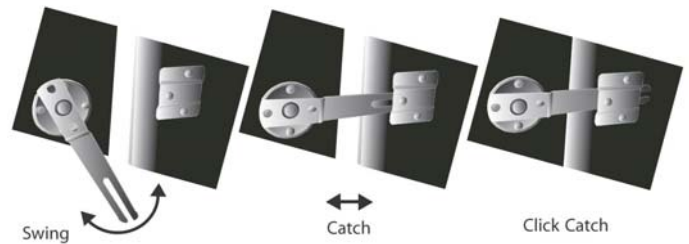
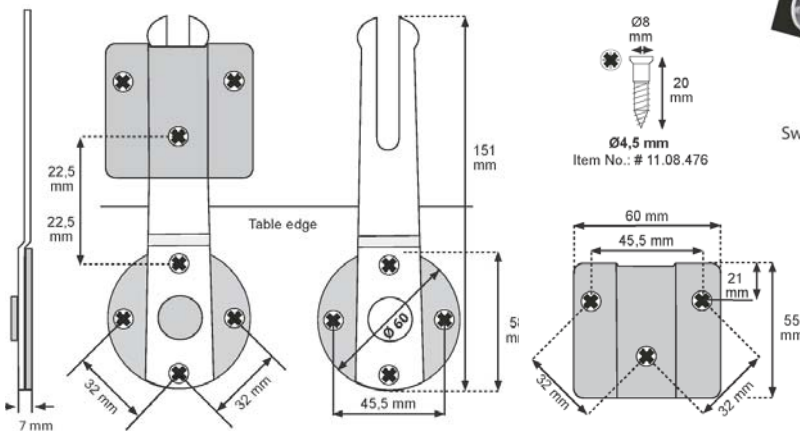
* All have 12mm threads



ITEM NO.	DESCRIPTION	FINISH	DIAMETER	PACKED
GLASS ADAPT STAINLESS 90MM	<i>Glass Table Top Adapter</i>	Stainless Steel	90 mm (3-1/2")	1 each
GLASS ADAPT STAINLESS 114MM	<i>Glass Table Top Adapter</i>	Stainless Steel	114 mm (4-1/2")	1 each
GLASS ADAPT STAINLESS 220MM	<i>Glass Table Top Adapter</i>	Stainless Steel	220 mm (8-2/3")	1 each

TABLE TOP CONNECTORS

CLICK CATCH Style



CONNYS Style



1. Attach one half of connector to each tabletop.
2. Twist to connect.
3. Lock into place!

ITEM NO.	DESCRIPTION	FINISH	DIAMETER	PACKED
02.2403.140	<i>Click Catch</i> Table Top Connector	Zinc Plated	5-7/8" (L= 150 mm)	1 each
02.2403.130	<i>Click Catch Attachment</i> for Multiple Positioning	n/a	n/a	1 each
812-02-NY	<i>Conny</i> Table Top Connector	Zinc	3-1/2"	1 each



1255 South Park Dr., Kernersville, NC 27284 USA
Tel. 336-996-7774, Toll Free 800-222-6941, Fax 336-996-1812
Website: www.petermeier.com E-mail: info@petermeier.com

PMITBC 2014

passion
for details™