

Invisible Shelf Support

632.500.105



Packed: 100 bags per box
(also sold individually)

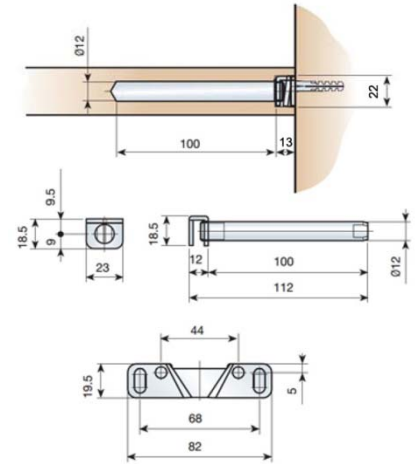
Each bag contains:

- 1 wall support
- 1 rod mount
- 4 plastic wall plugs (6 x 30 mm)
- 4 screws (4.5 x 35 mm)

Up to a shelf depth of 8",
Max. load capacity is 17kg or 37.4lbs.

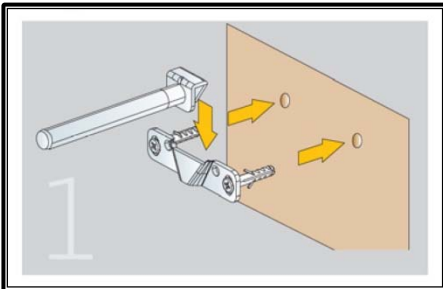
Up to a shelf depth of 12",
Max. load capacity is 11.5 kg or 25.3lbs.

Note: The Tests are achieved by 2 supports with a shelf length of 35". For every 18" additional shelf length, please add 1 additional shelf support.

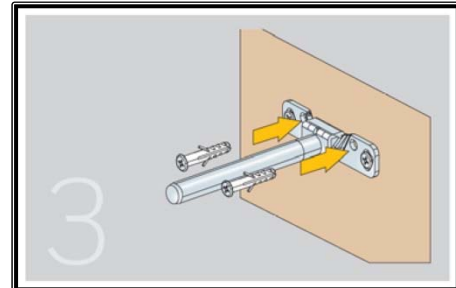


The most important characteristic of the Invisible shelf support is that it is **completely concealed and able to hold heavy loads**. Additionally, it allows the shelf to be adjusted in any direction.

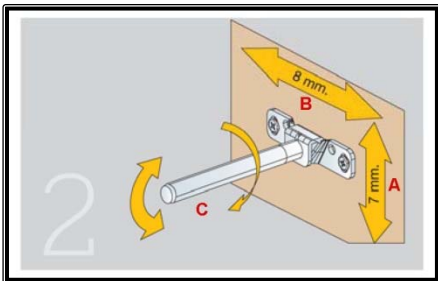
ASSEMBLY:



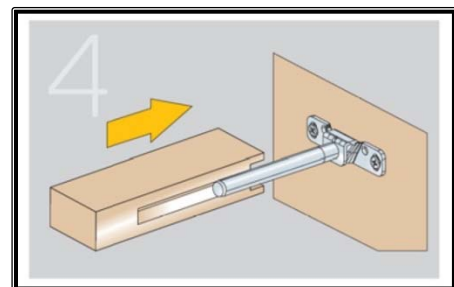
Place the support on the wall with the supplied wall plugs and screws. Now, place the rod on the support.



Affix the support in its final locked position with the remaining 2 wall plugs and screws, to prevent any shift in position.



- A) Oval holes allow for accurate leveling.
- B) Adjust horizontally by moving the rod along the support.
- C) The vertical tilt can be adjusted by turning the rod.



Last, place the shelf in position. It can be removed whenever necessary to carry out further adjustments.