

NEW!

556 Square Furniture Legs



- **2" x 2"** (50mm x 50mm) **Square Leg**
- **4" and 6"** Heights
- **3/4" adjustment**
- Attached with separate mounting plate and hex screw
- Sold in **sets of 4 legs** per box
- All mounting hardware is included
- Available in **4 finishes**
- Weight capacity of **330 lbs. per leg**
- **In stock** and ready to ship!



Pol. Chrome (C1)

Grey (71)

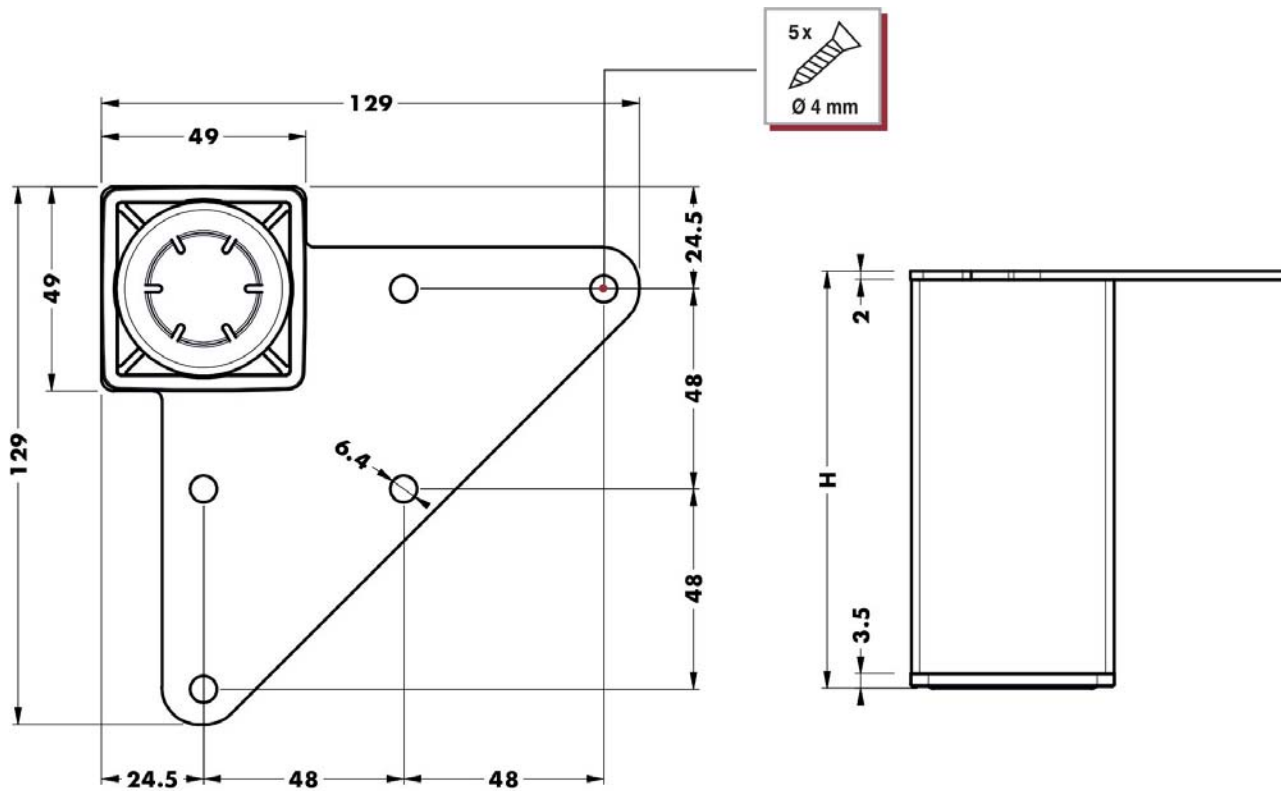
Brushed Steel (ST)

Black Matte (19)

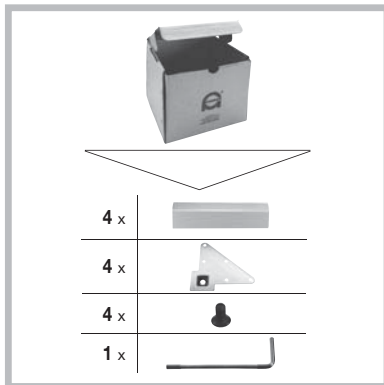
556 Square Furniture Legs

Pricing:

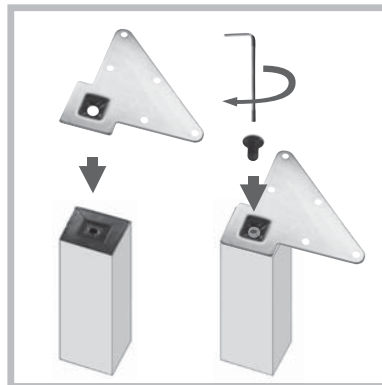
FINISH	4" TALL	MSRP (set)	6" TALL	MSRP (set)
Polished Chrome	556-10-C1	\$ 95.38	556-15-C1	\$106.89
Brushed Steel	556-10-ST	\$ 74.91	556-15-ST	\$ 83.87
Black Matte	556-10-19	\$ 48.35	556-15-19	\$ 49.47
Grey	556-10-71	\$ 55.13	556-15-71	\$ 56.40



1



2



3

